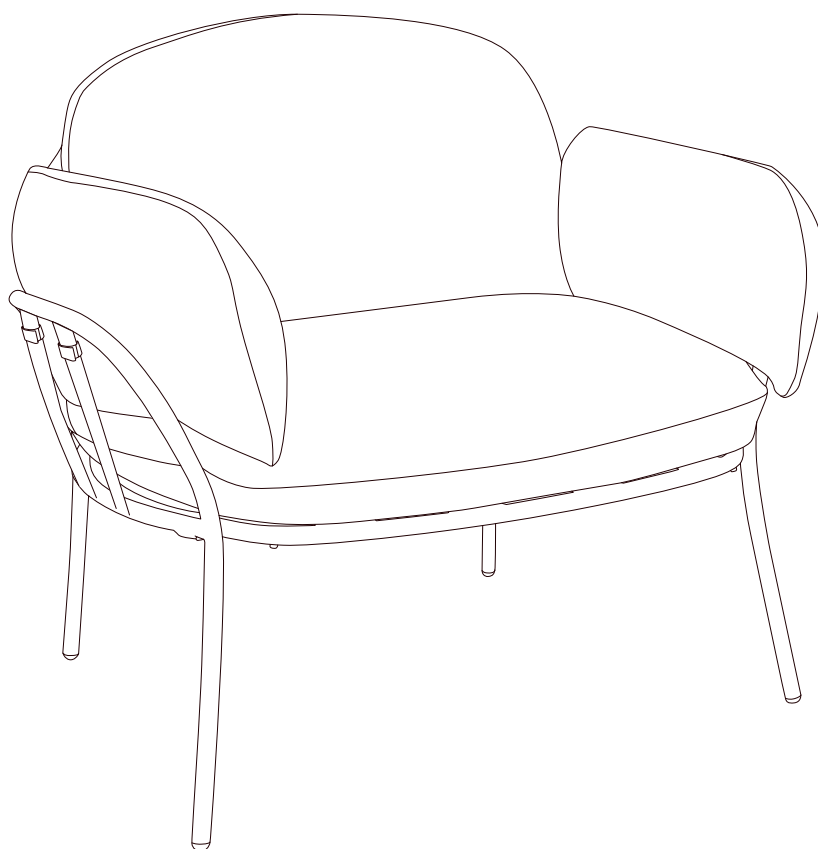
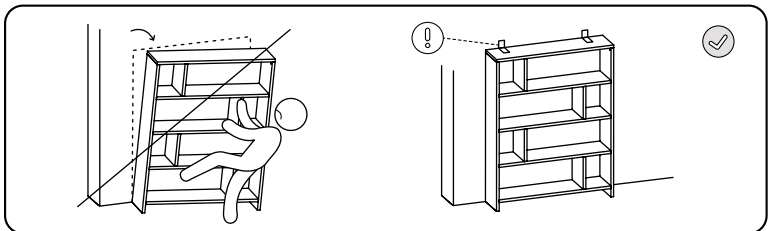
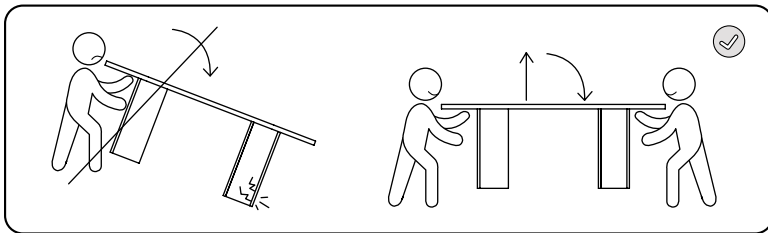
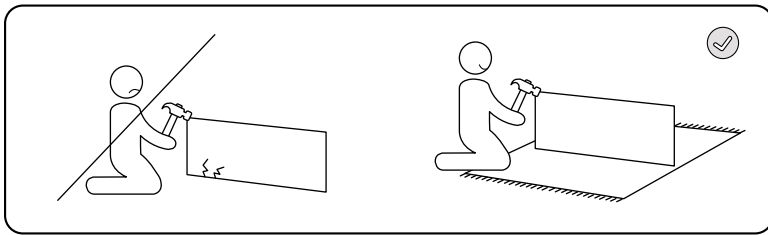
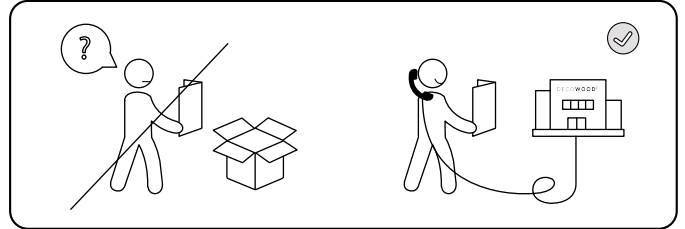
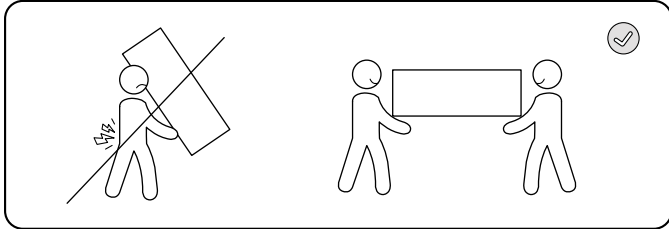


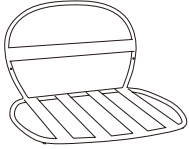





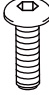


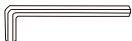
DECOWOOD®

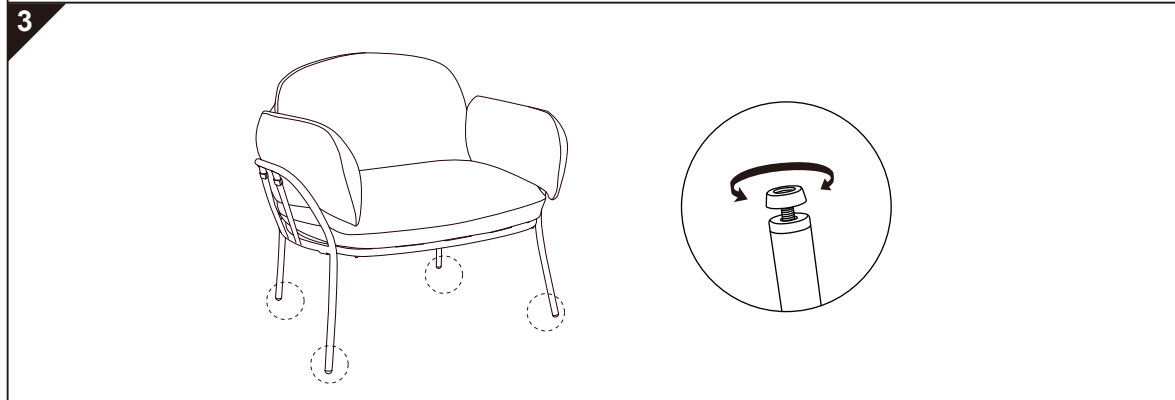
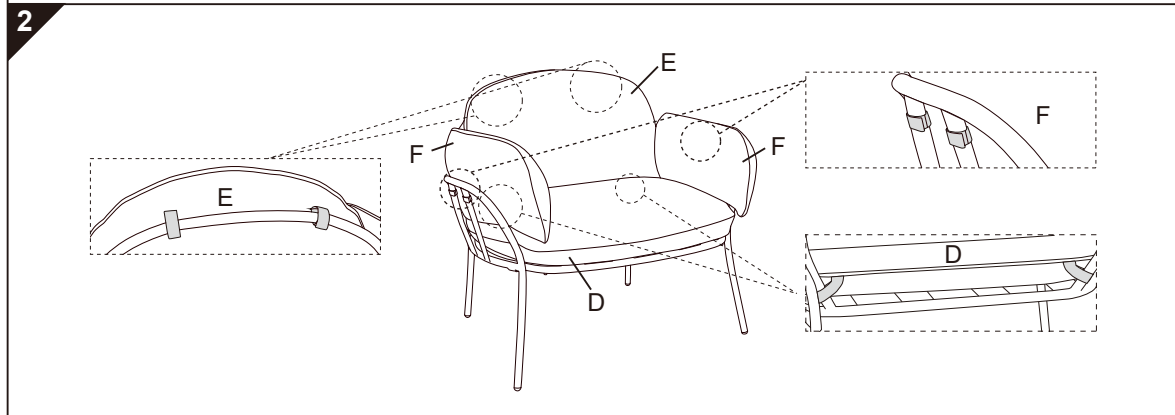
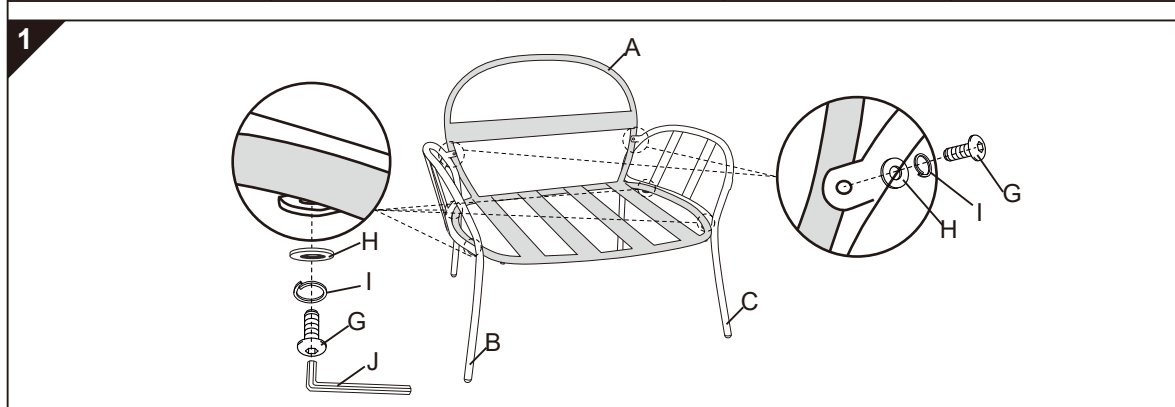


DECOWOOD®

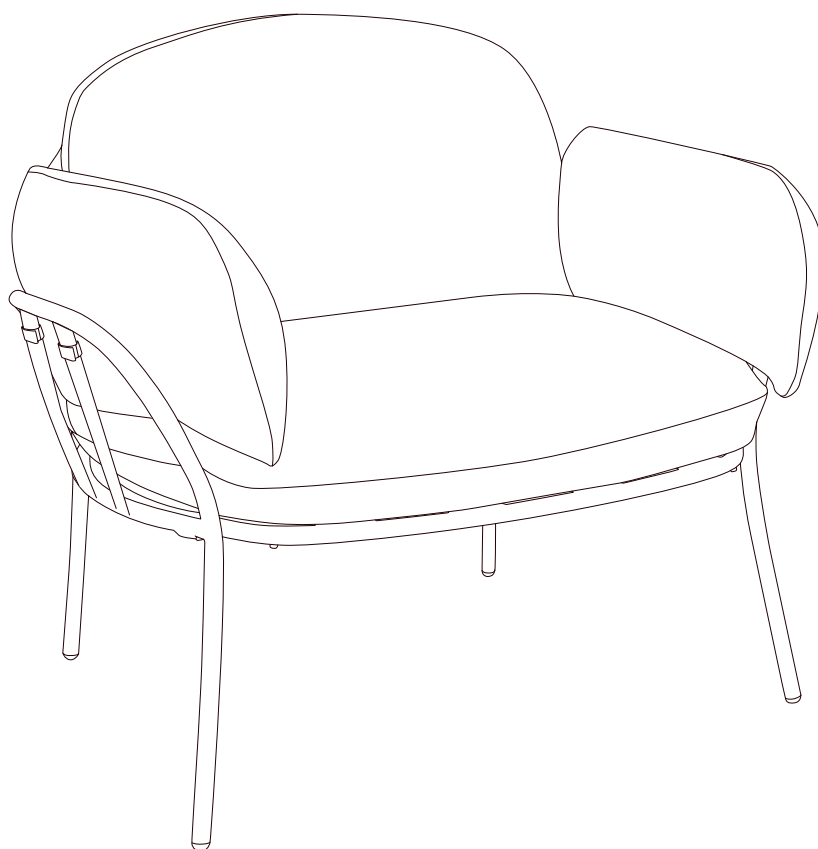


DECOWOOD®

 A x1	 B x1	 C x1	 D x1	 E x1
 F x2	 M6*20 G x6	 H x6	 I x6	 J x1



DECOWOOD®



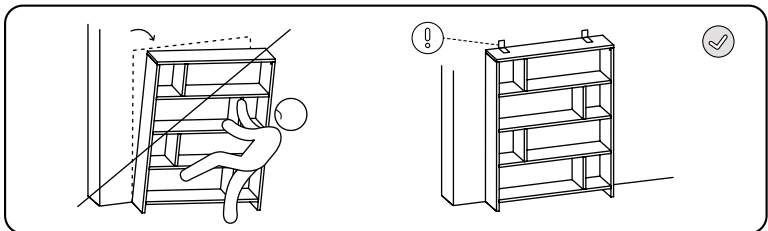
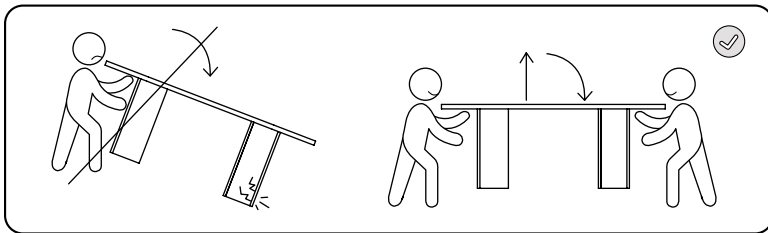
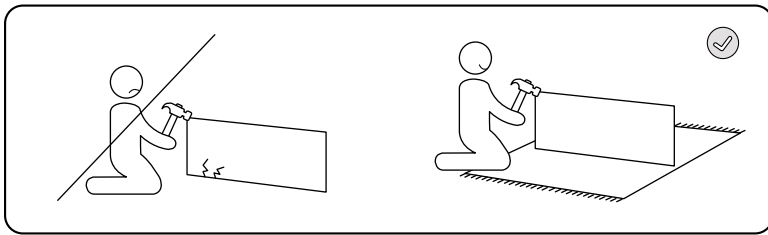
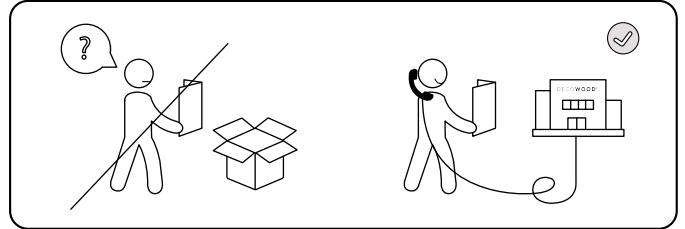
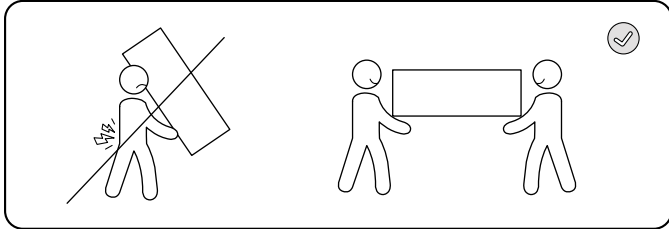
DECOWOOD®









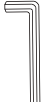
**The change
starts here.**



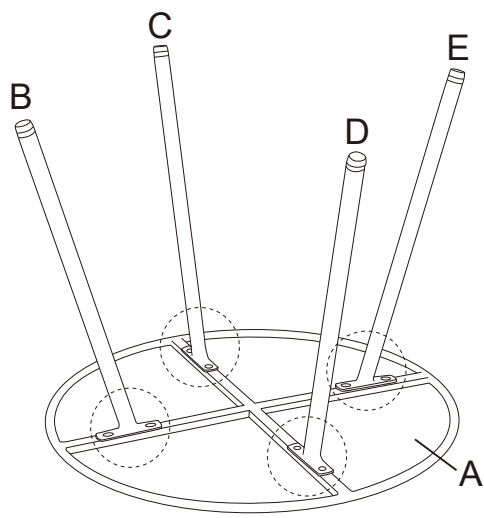


DECOWOOD®

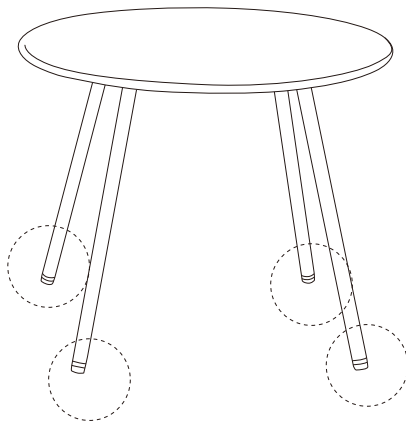


					 M8*16 F x8	 M8 G x8	 M8 H x8	 I x1
---	---	---	---	---	--	---	---	---

1



2





DECOWOOD®

**The change
starts here.**

