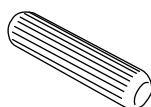
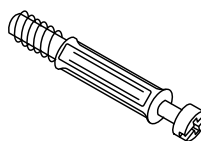


**C** x6  
Ø15mm



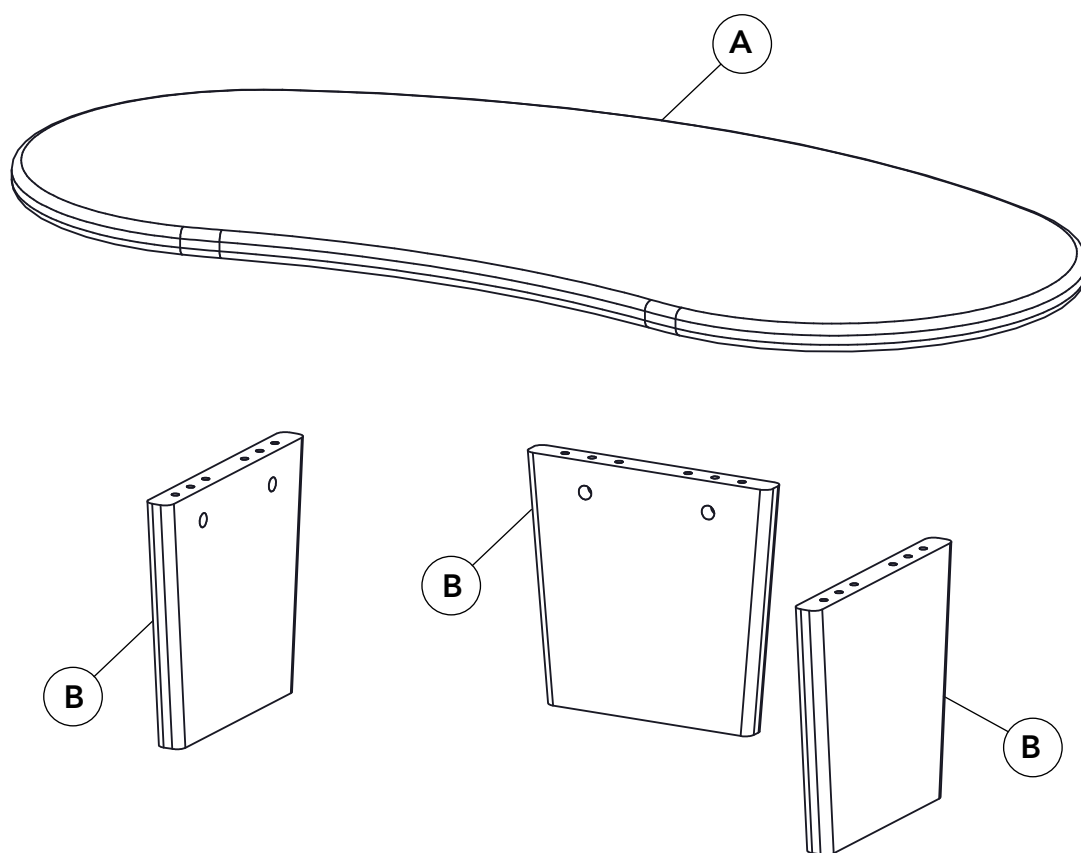
**D** x12  
Ø8x30mm



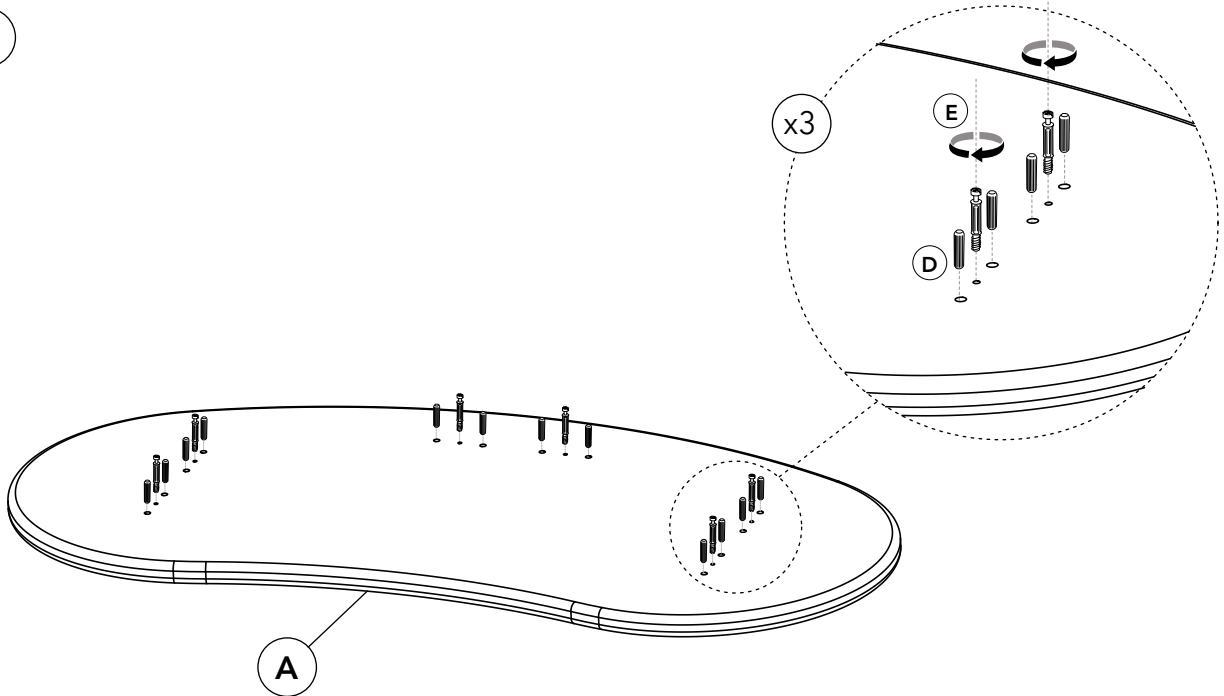
**E** x6  
M6x40mm



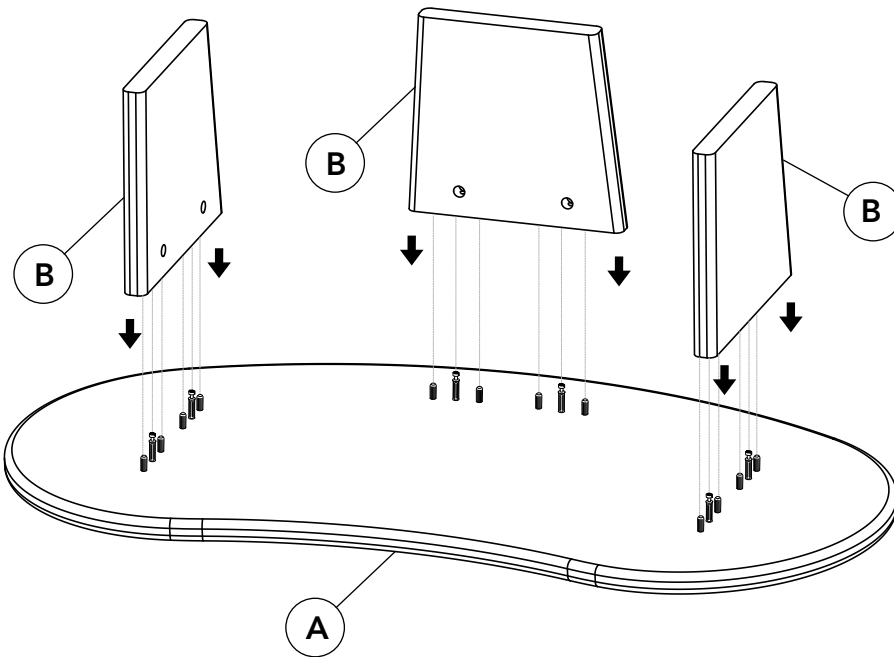
\* **F** x6

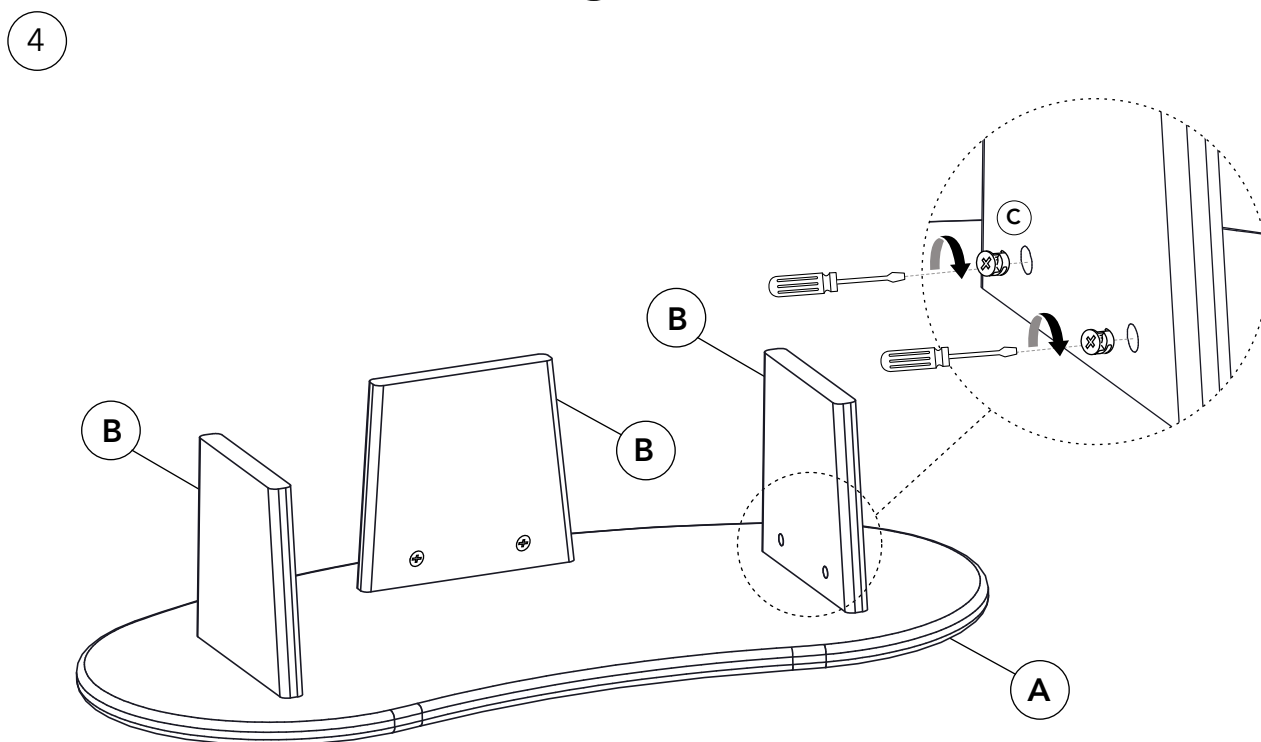
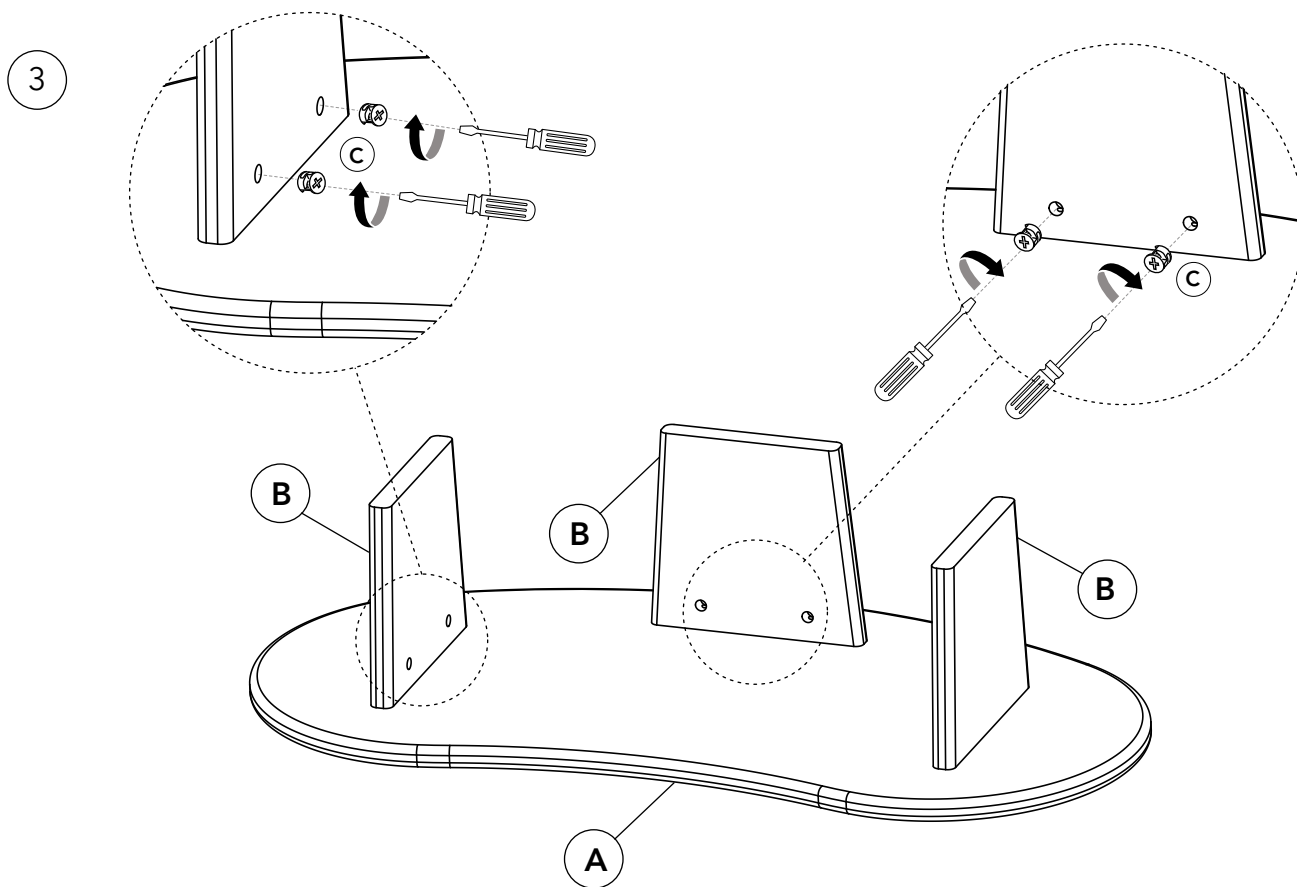


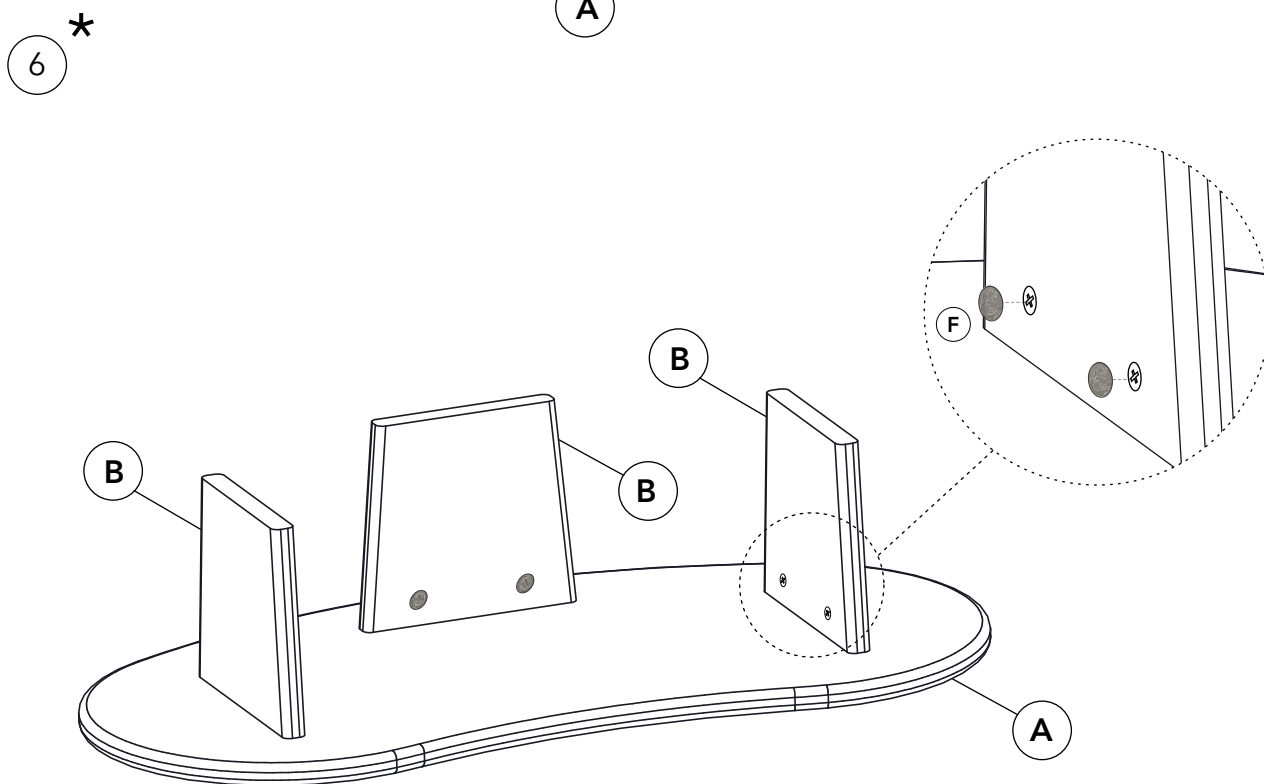
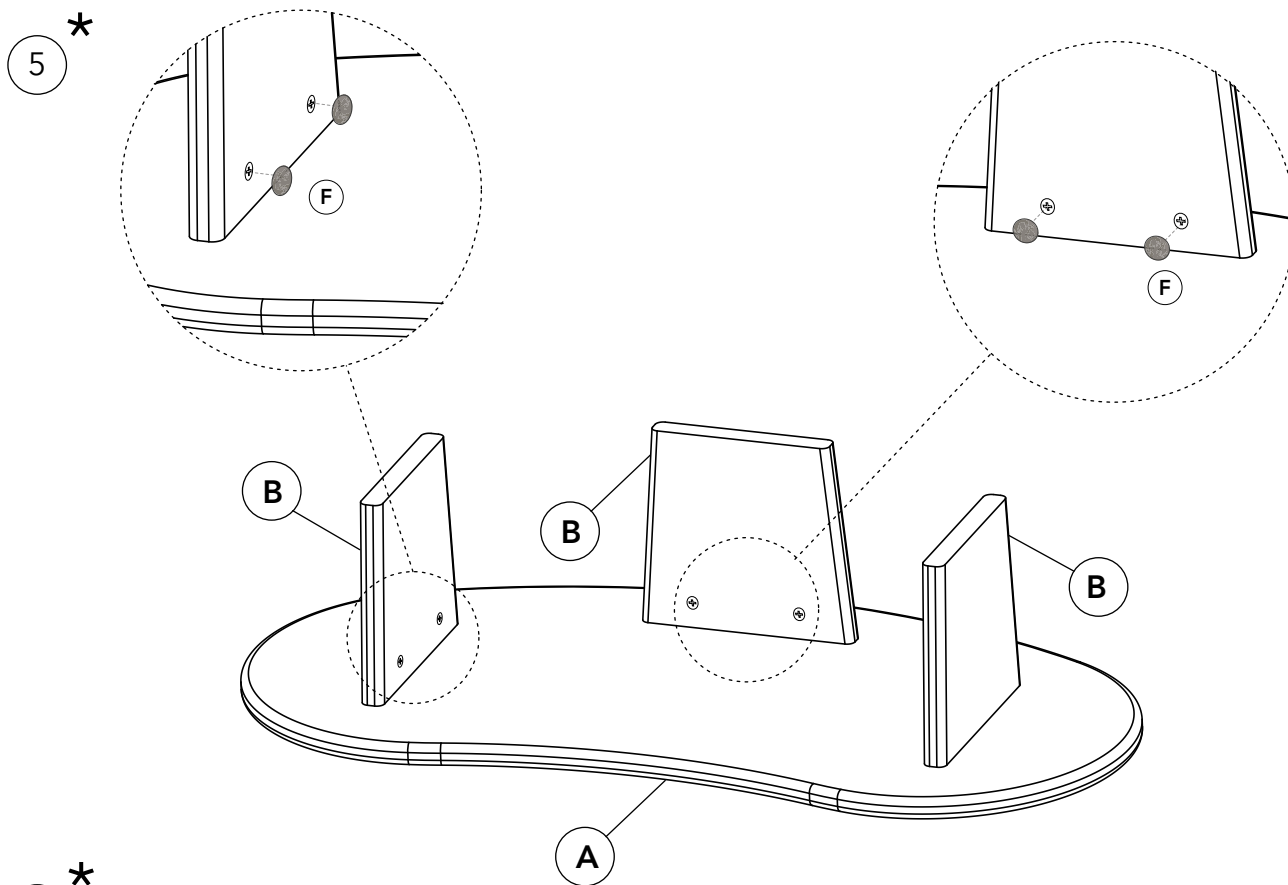
1



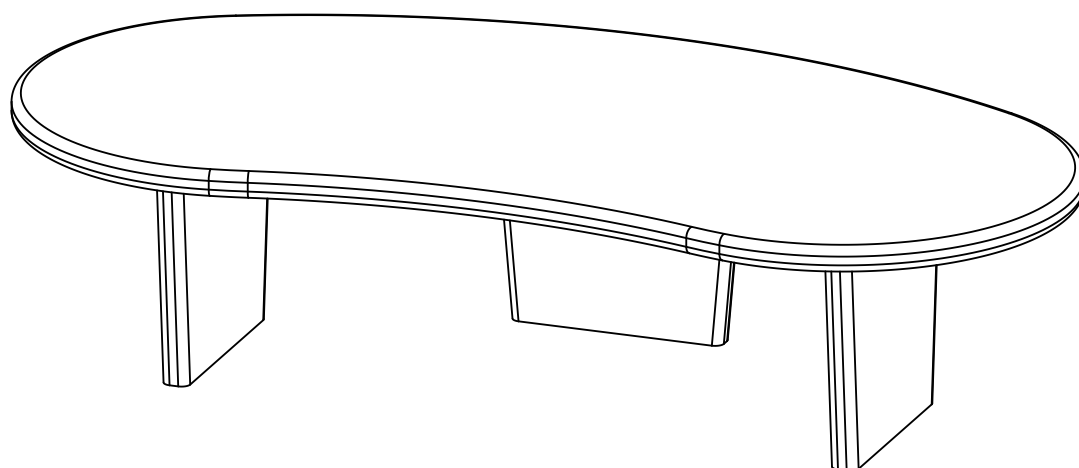
2







\* ESP: Solo para patas de microcemento.  
EN: Only for microcement legs.





DECOWOOD®

**The change  
starts here.**

