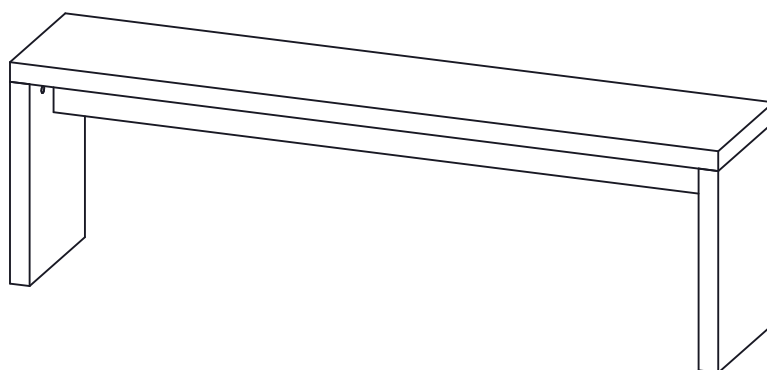
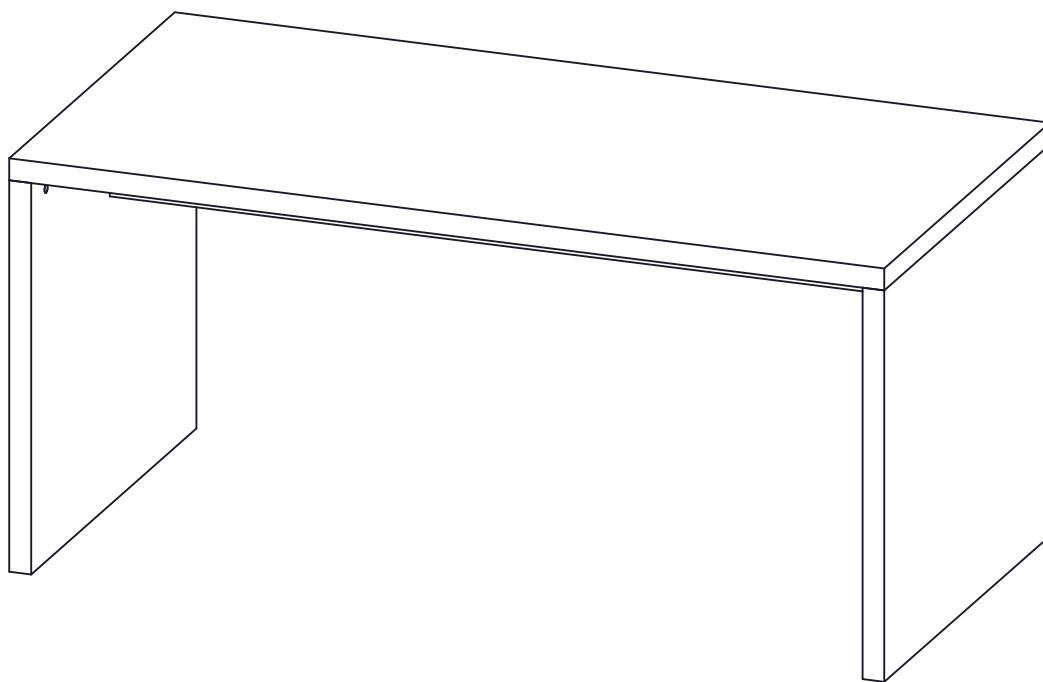
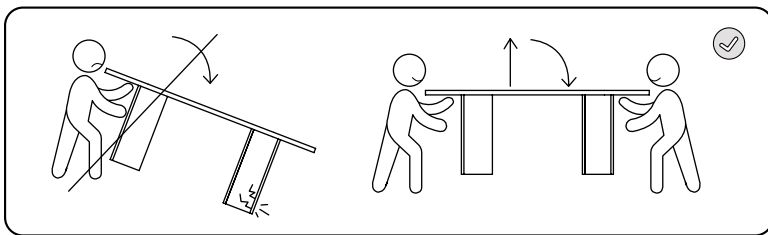
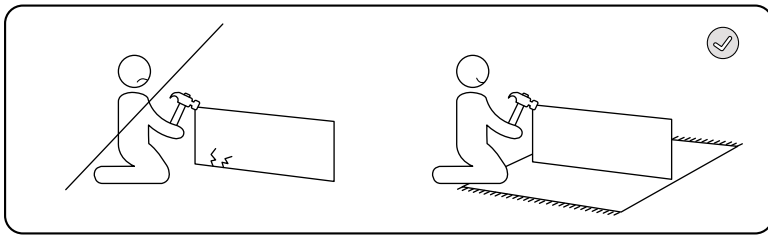
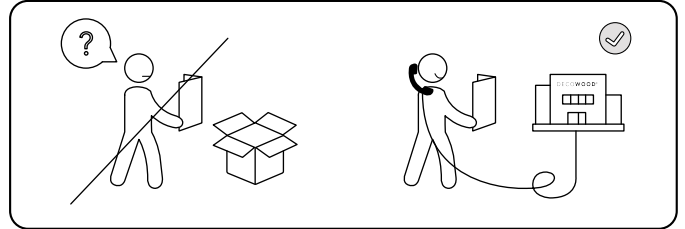
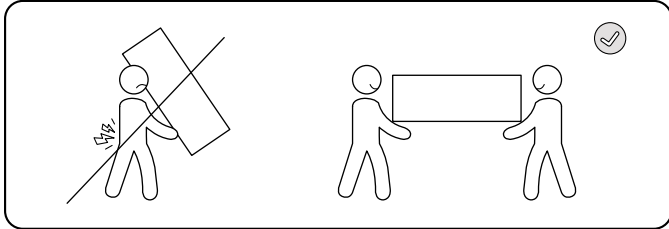


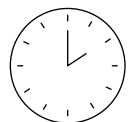
2



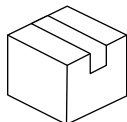
12



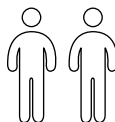




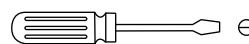
15 min



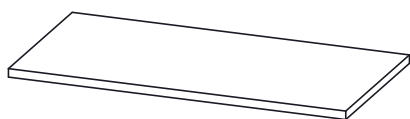
x2



x2



x1



**A** x1



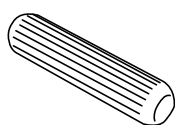
**B** x1



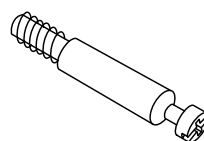
**C** x2



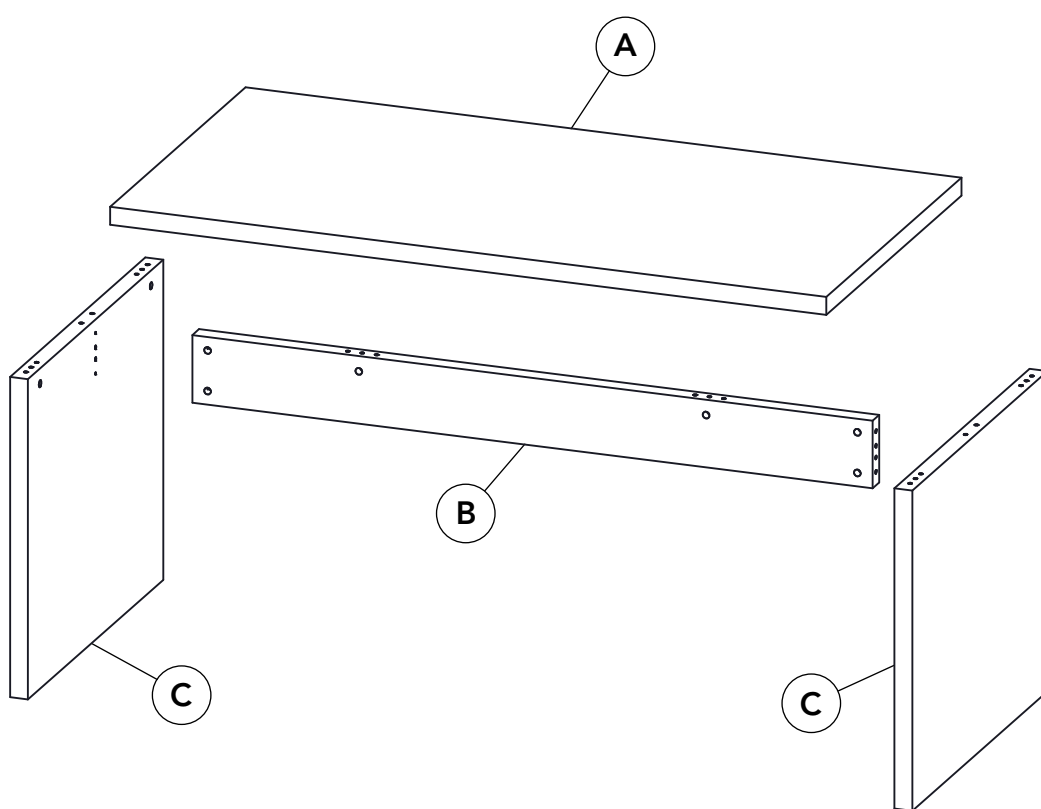
**D** x10  
Ø15mm



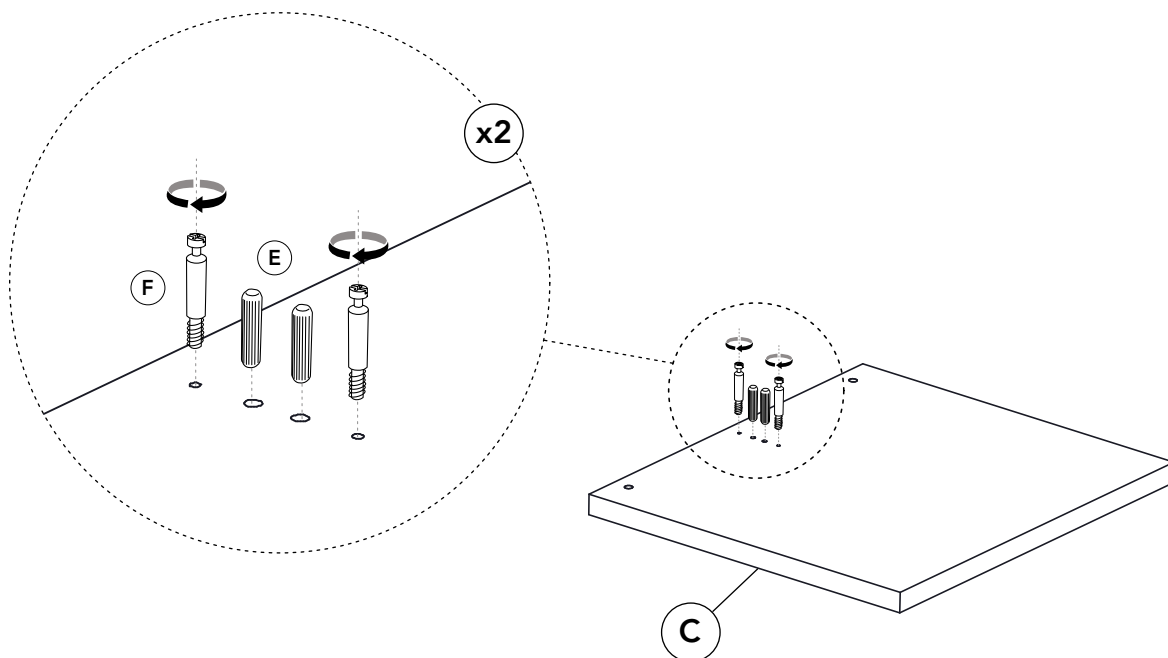
**E** x20  
Ø8x30mm



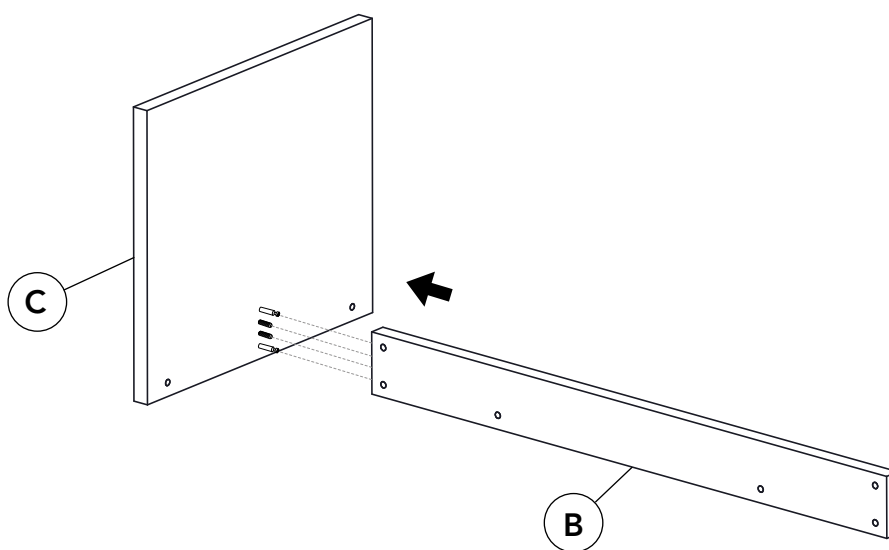
**F** x10  
M6x40mm



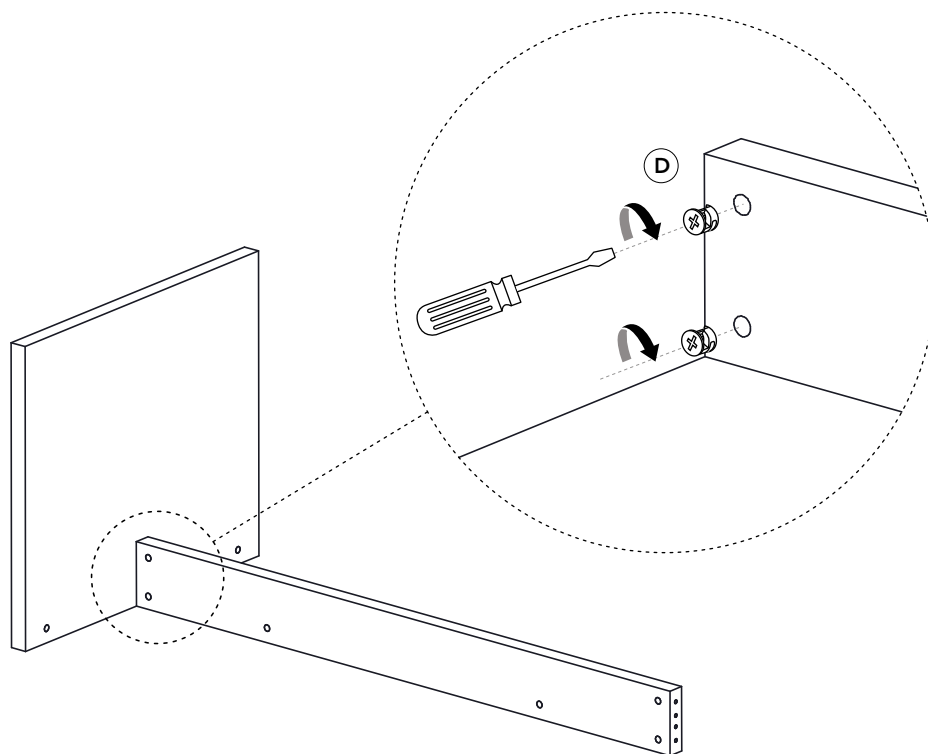
1



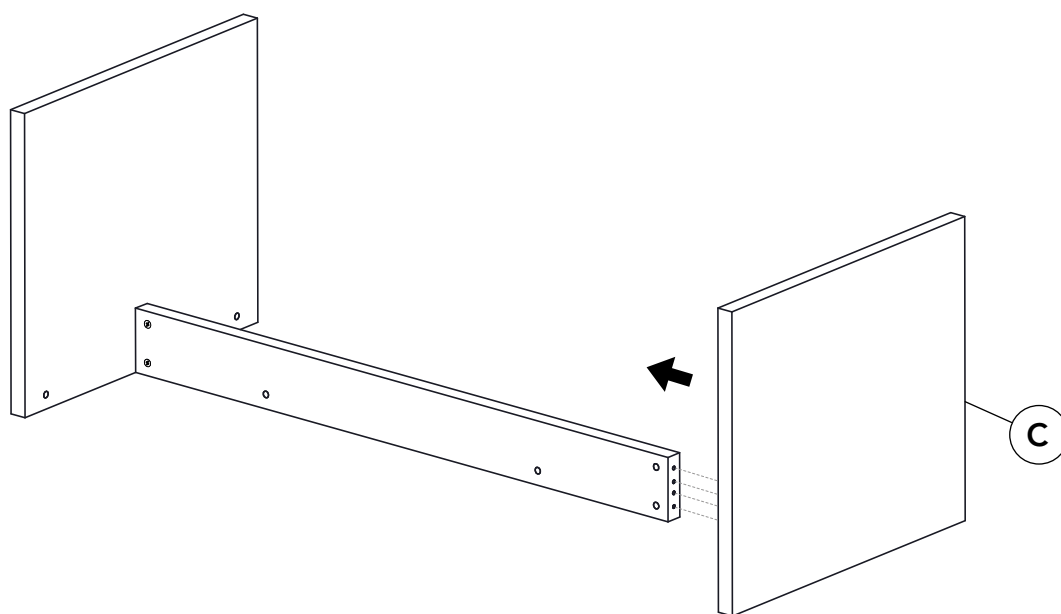
2



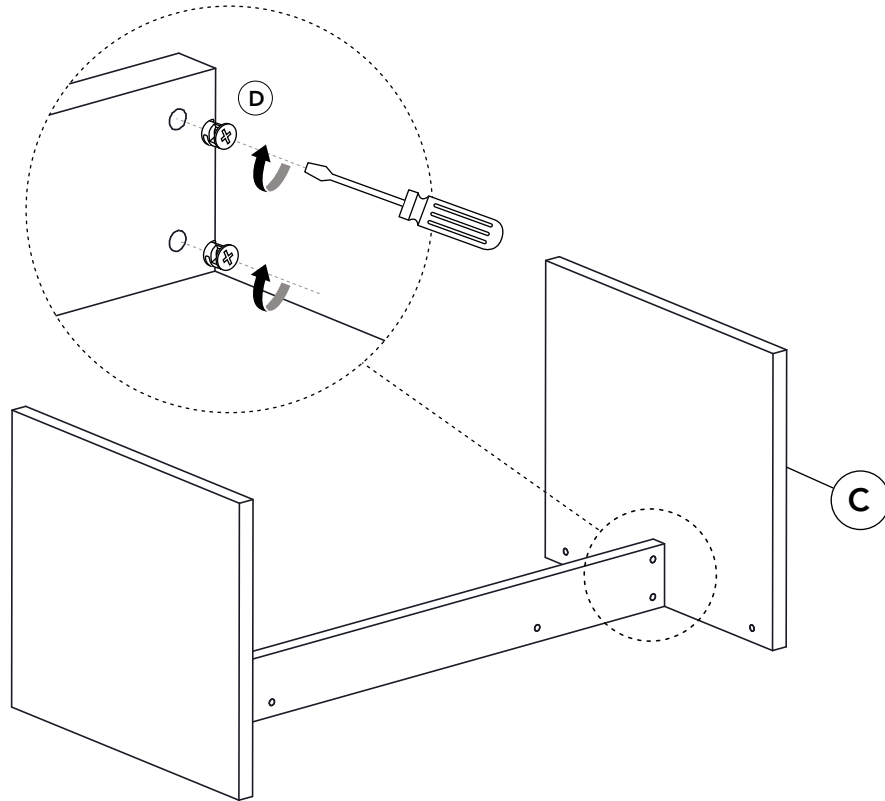
3



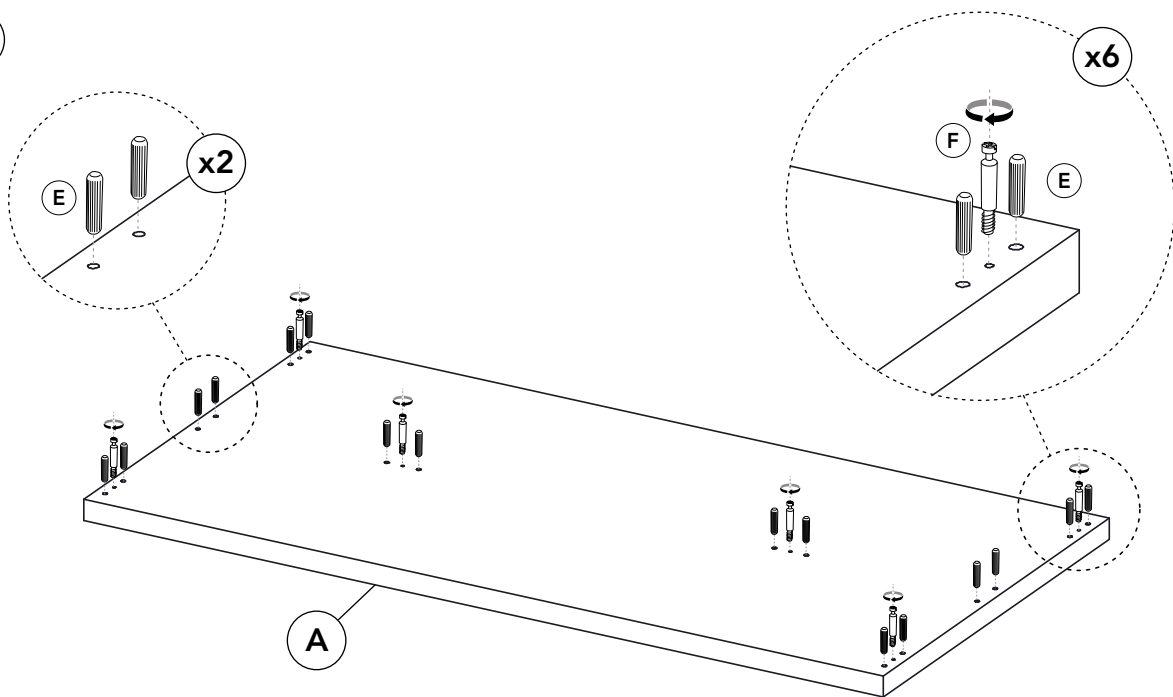
4



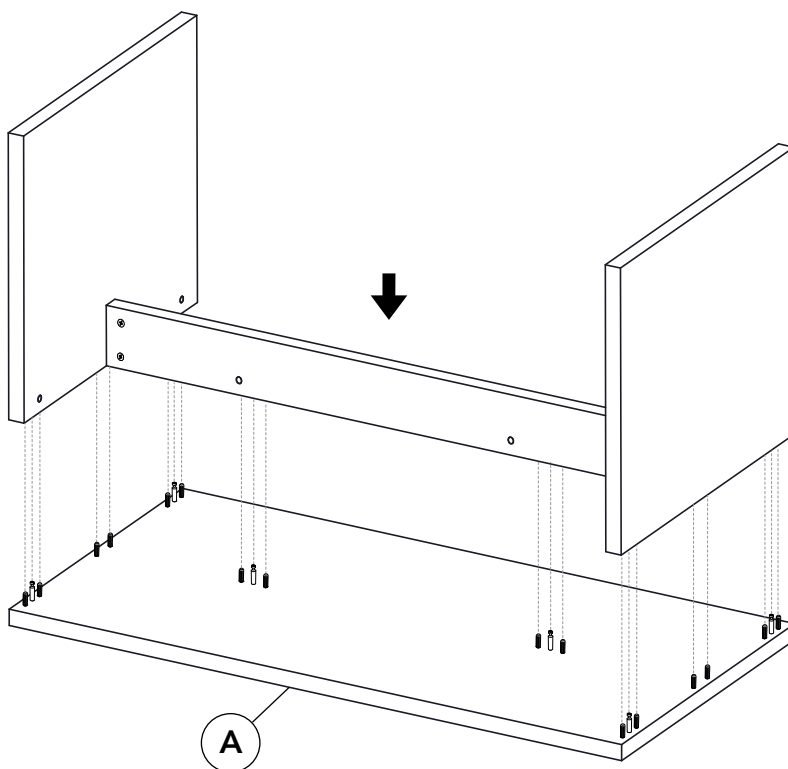
5



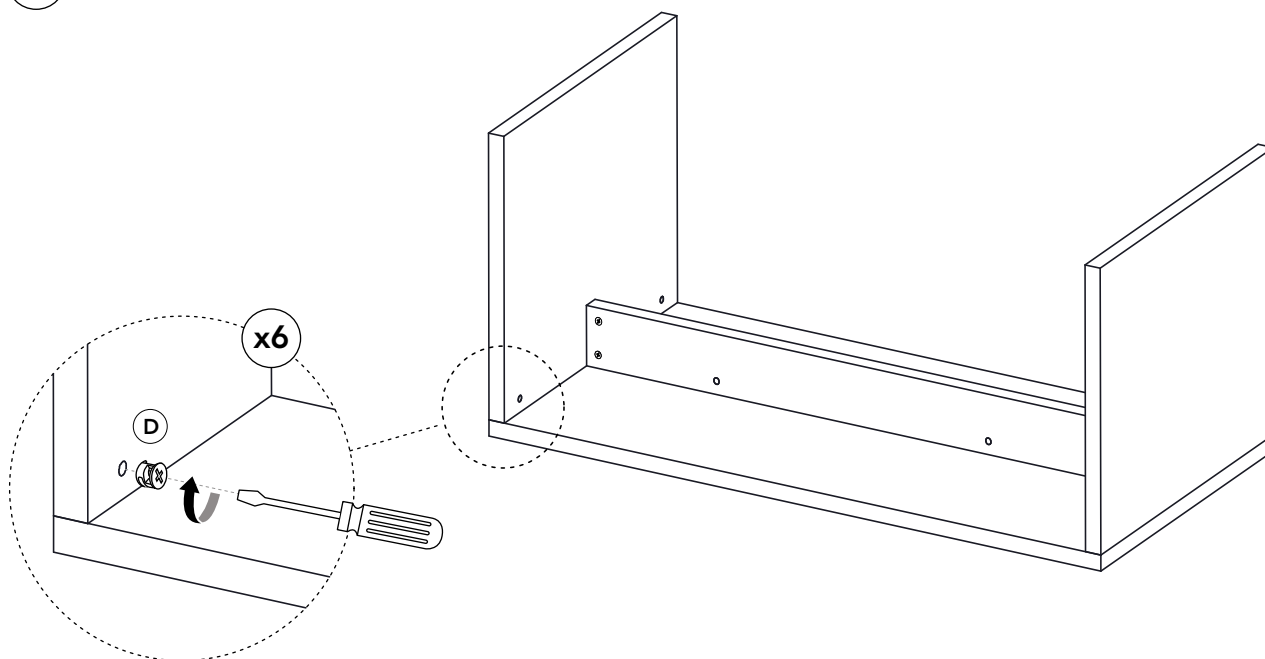
6

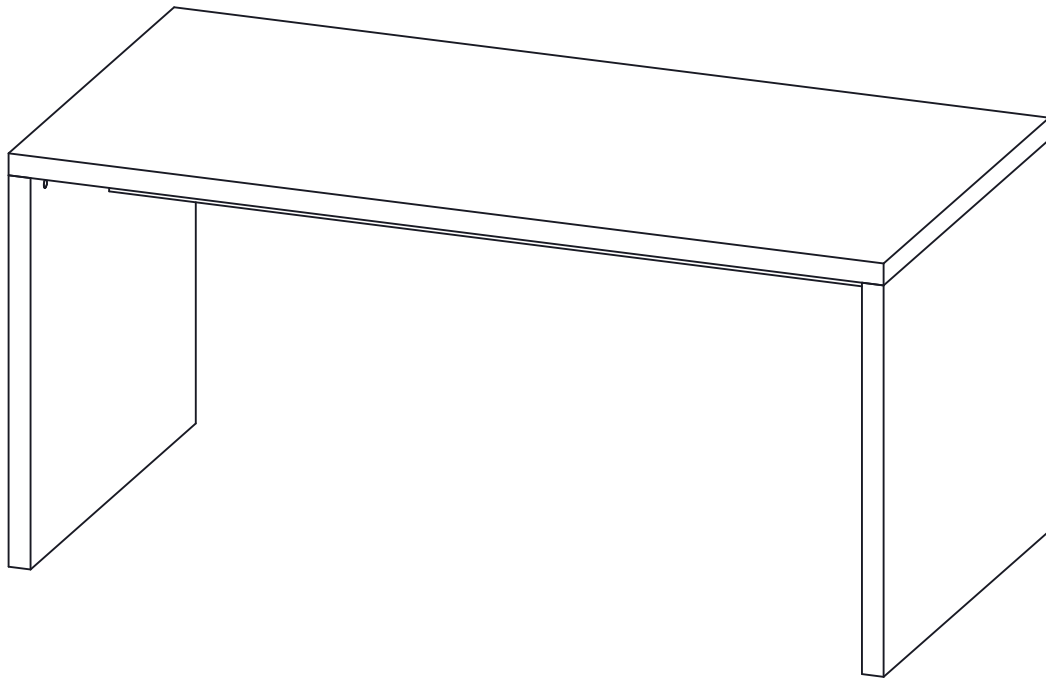


7



8

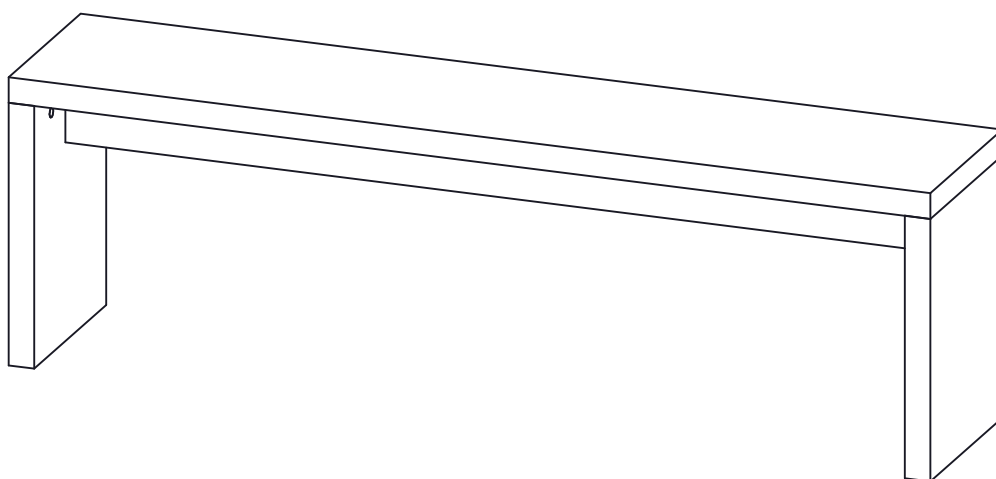


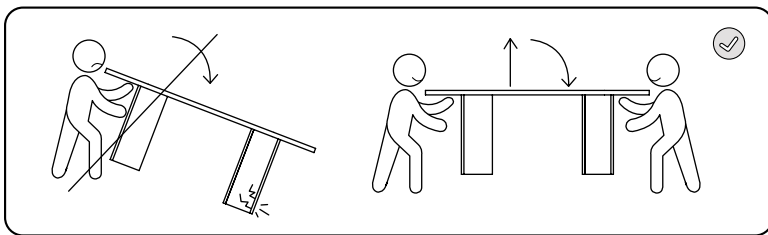
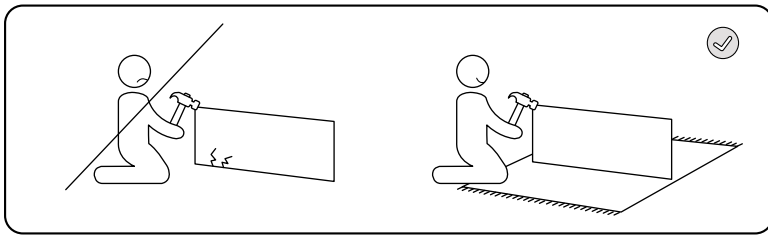
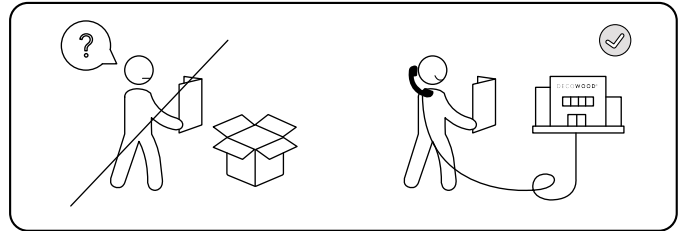
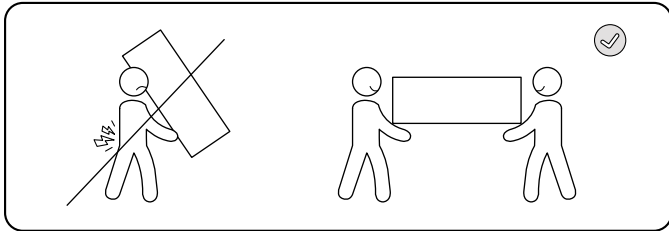


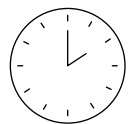
DECOWOOD®

**The change  
starts here.**

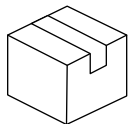








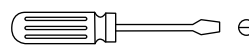
15 min



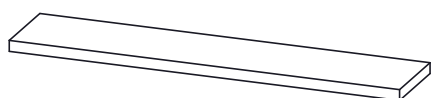
x1



x1



x1



A x1



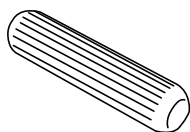
B x1



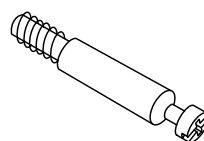
C x2



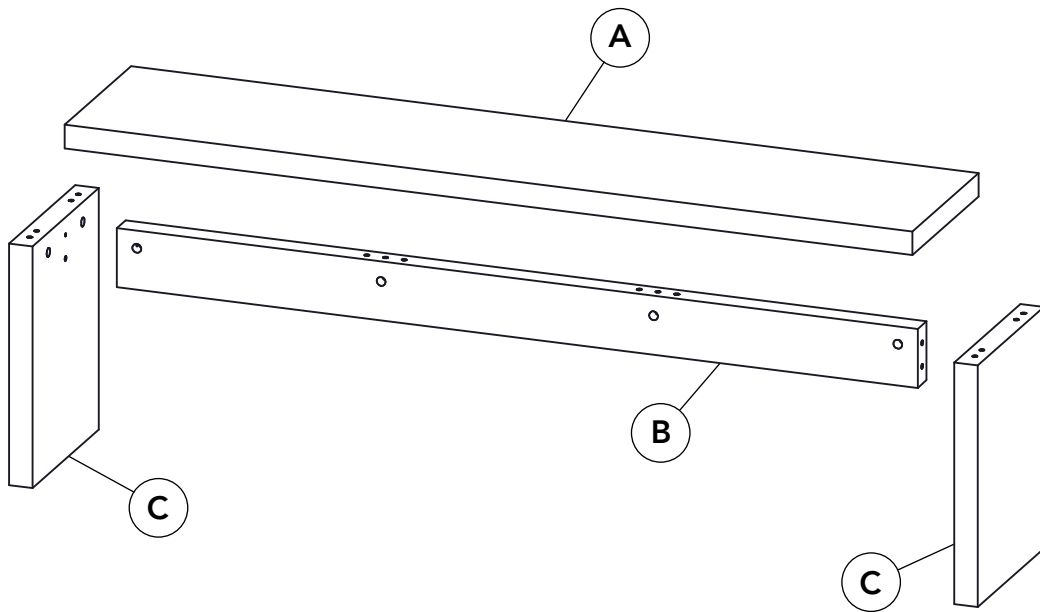
D x8  
Ø15mm



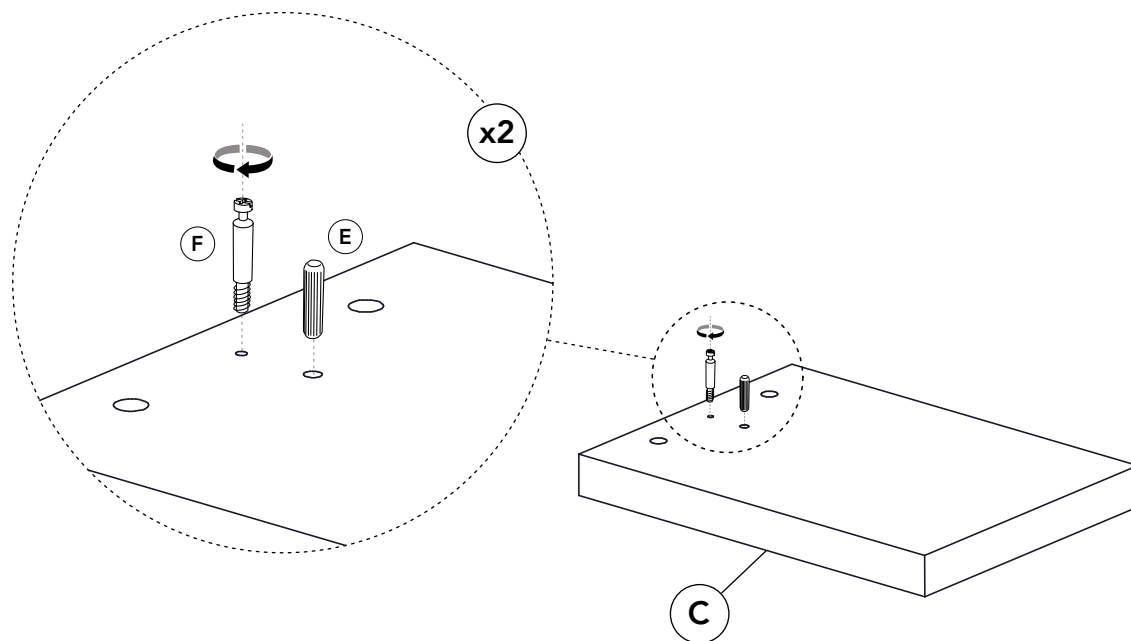
E x10  
Ø8x30mm



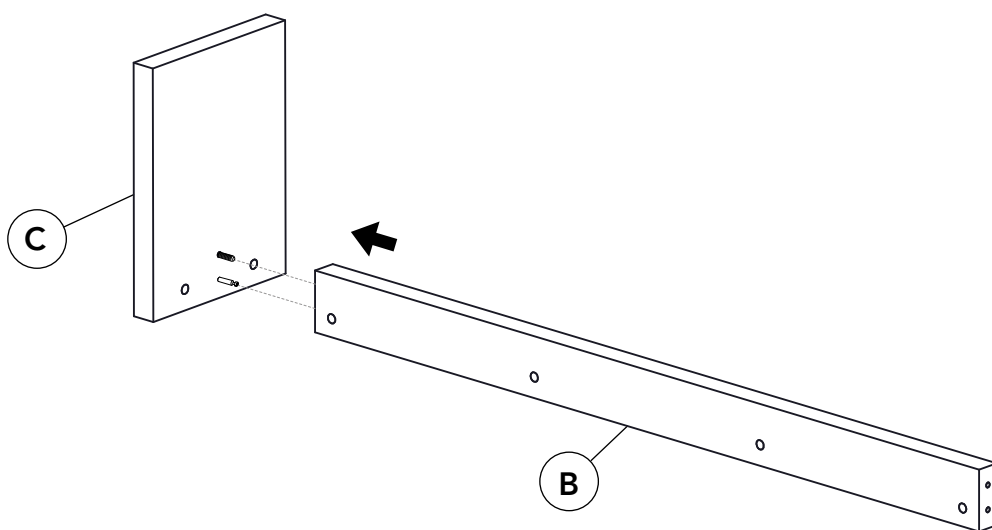
F x8  
M6x40mm



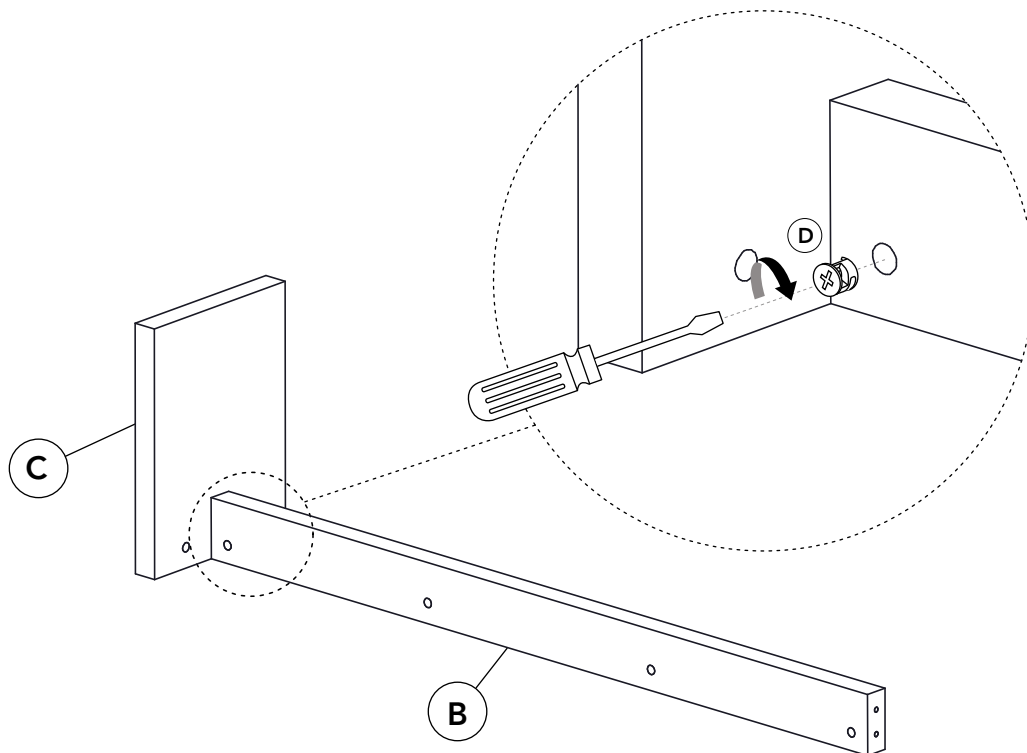
1



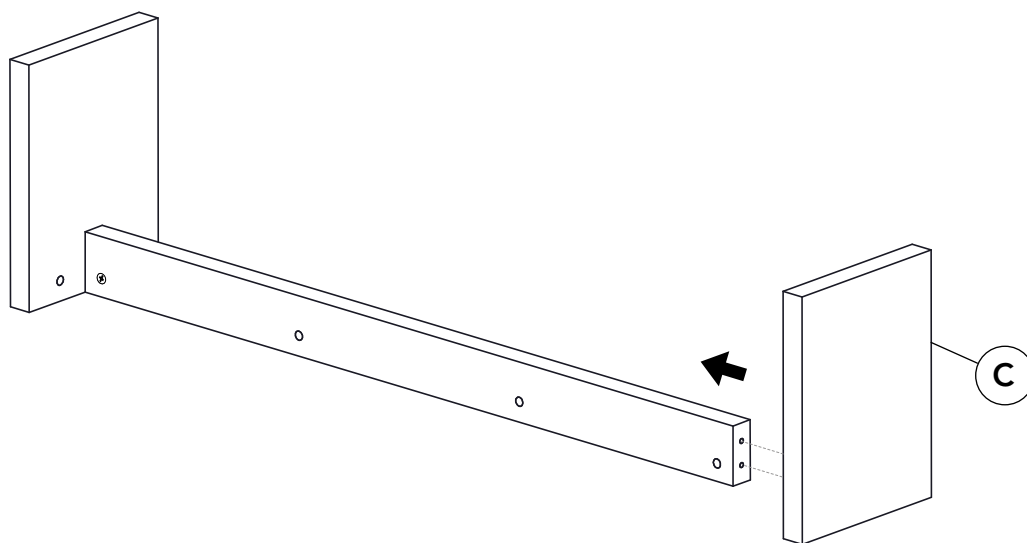
2



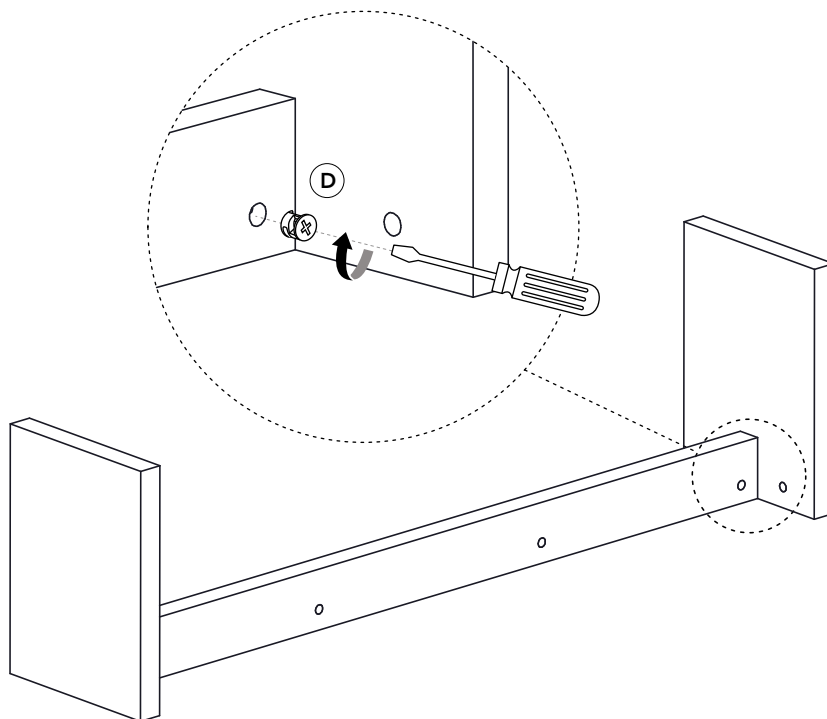
3



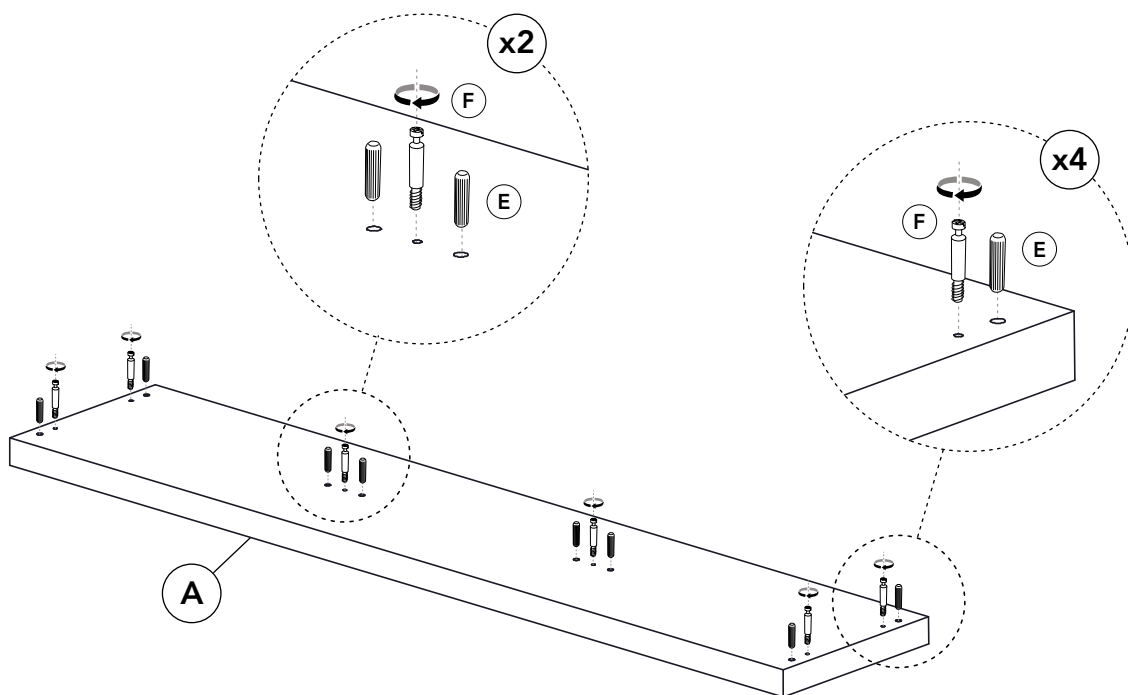
4



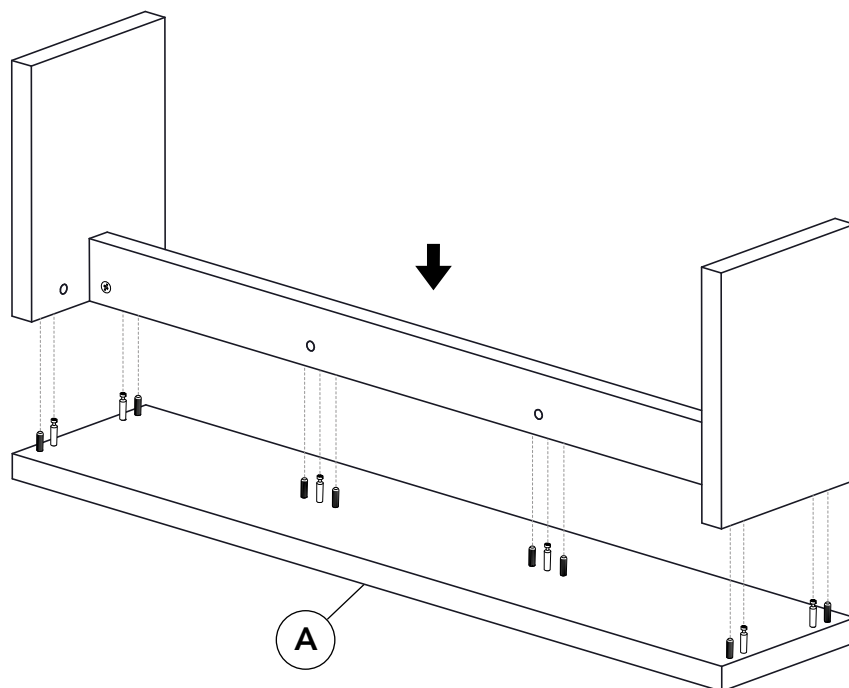
5



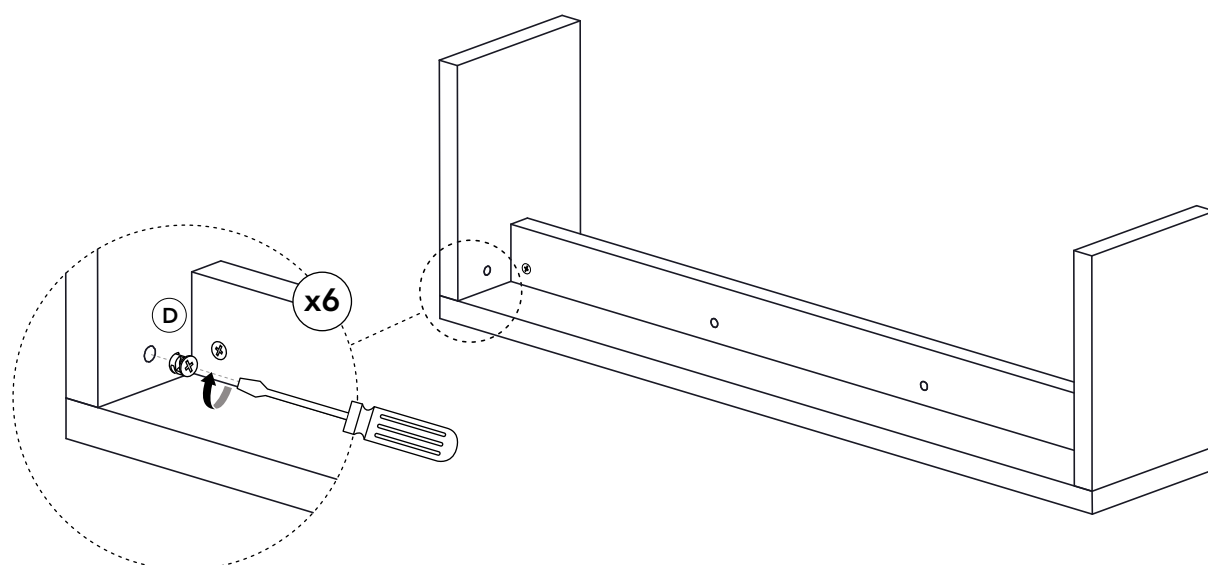
6

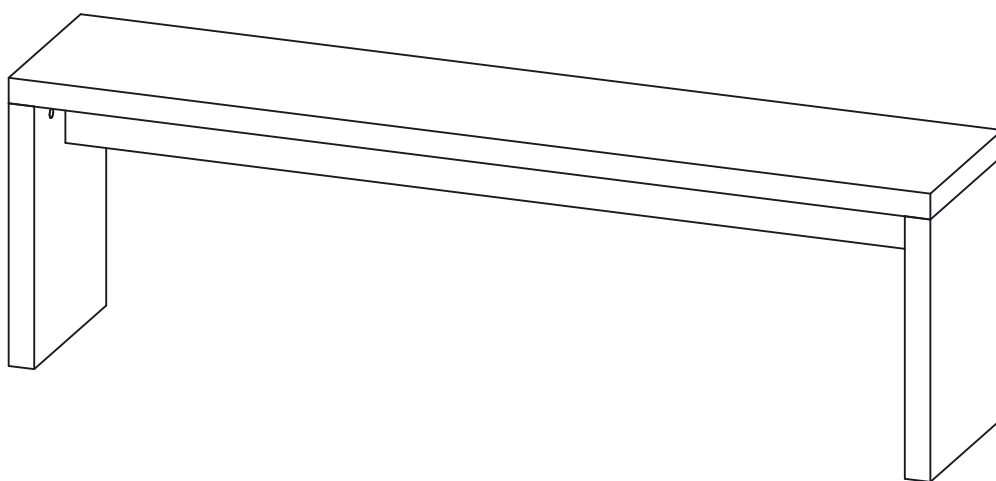


7



8





DECOWOOD®

**The change  
starts here.**

