

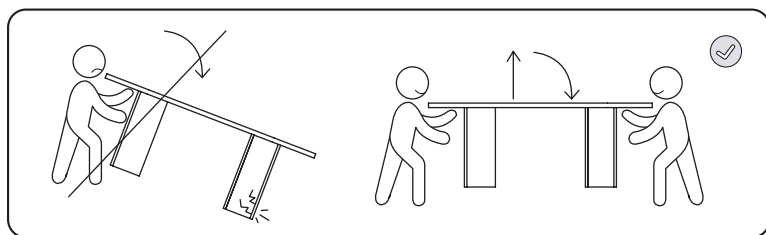
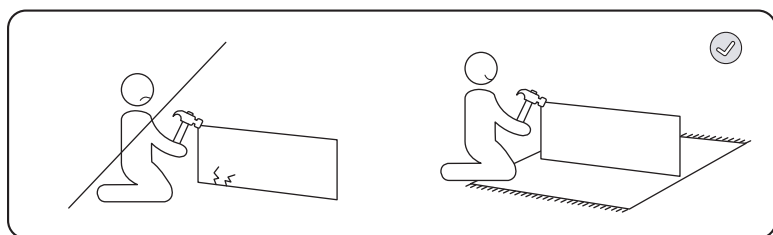
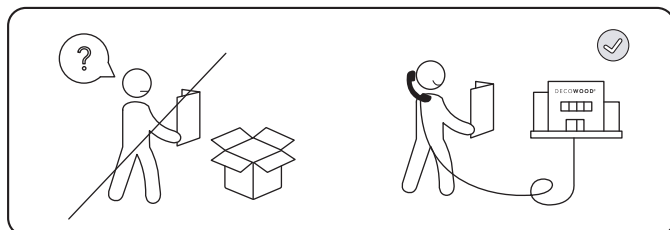
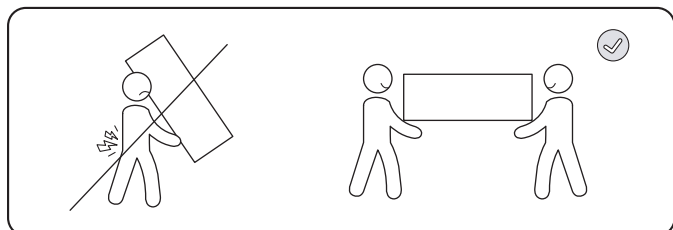




2 160 cm

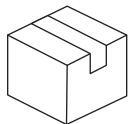


11 190 cm
220 cm

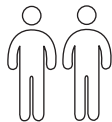




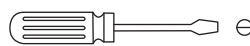
10 min



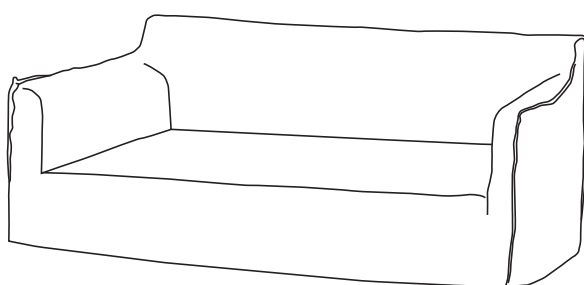
x1



x2



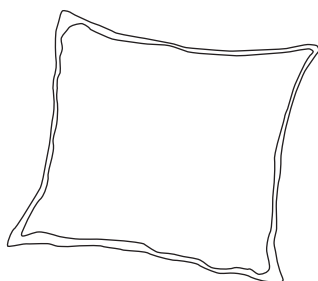
x1



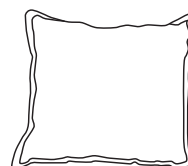
A x1



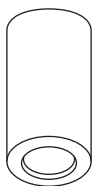
B x2



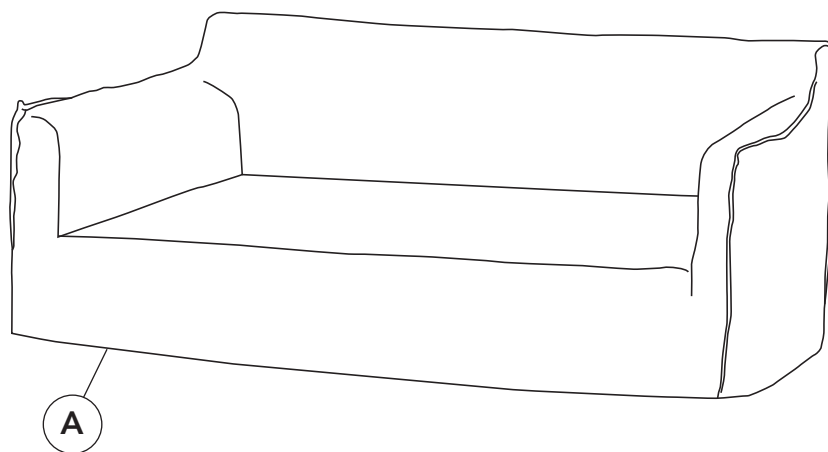
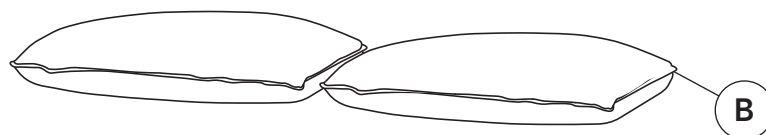
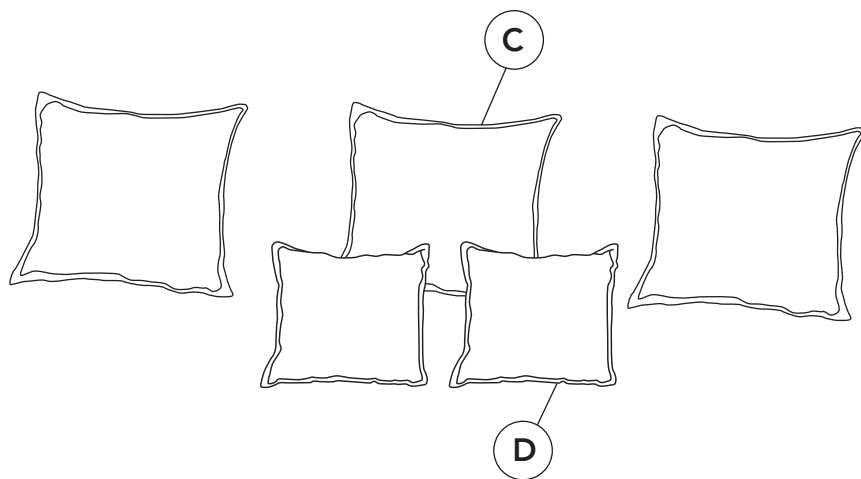
C x3



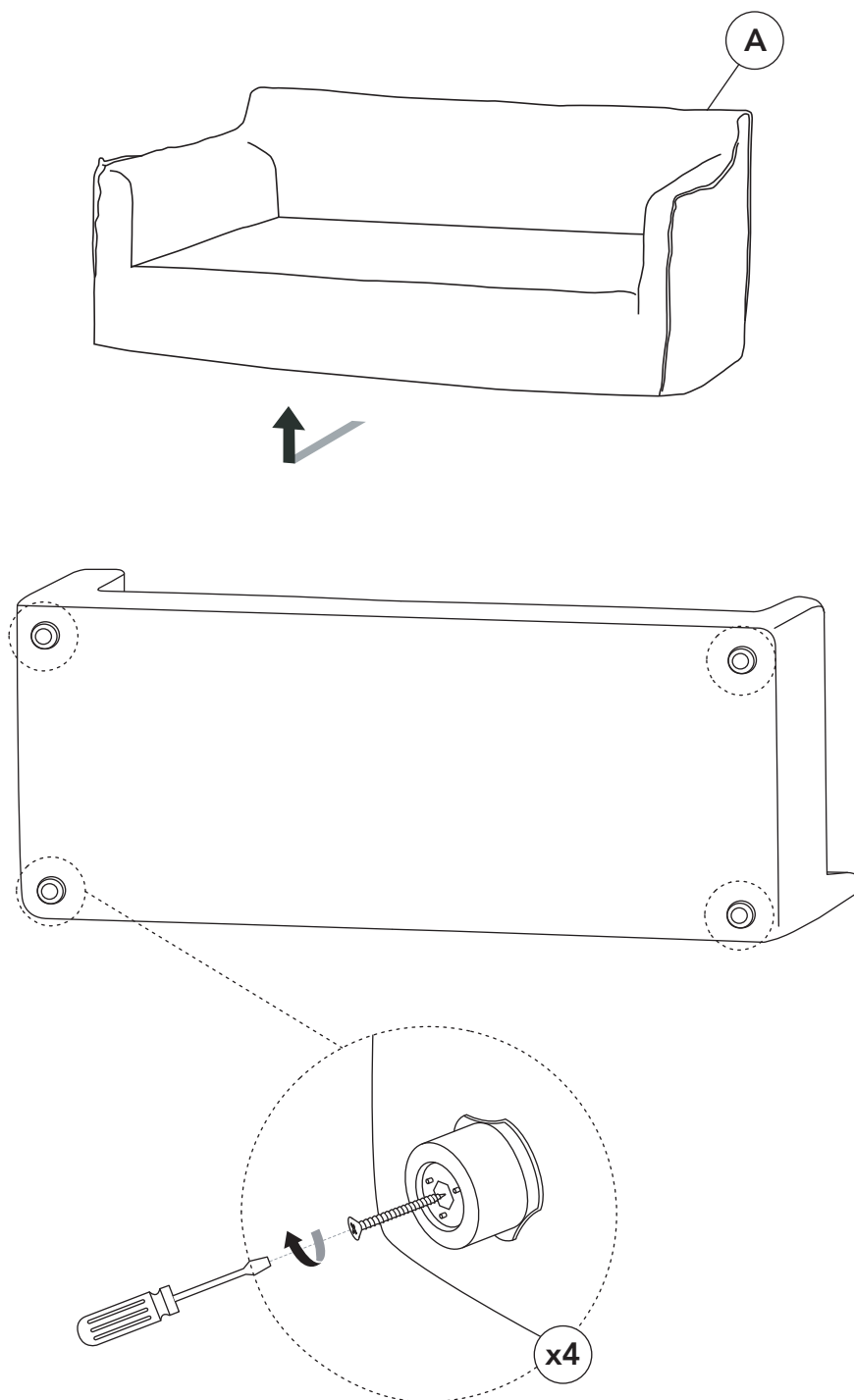
D x2



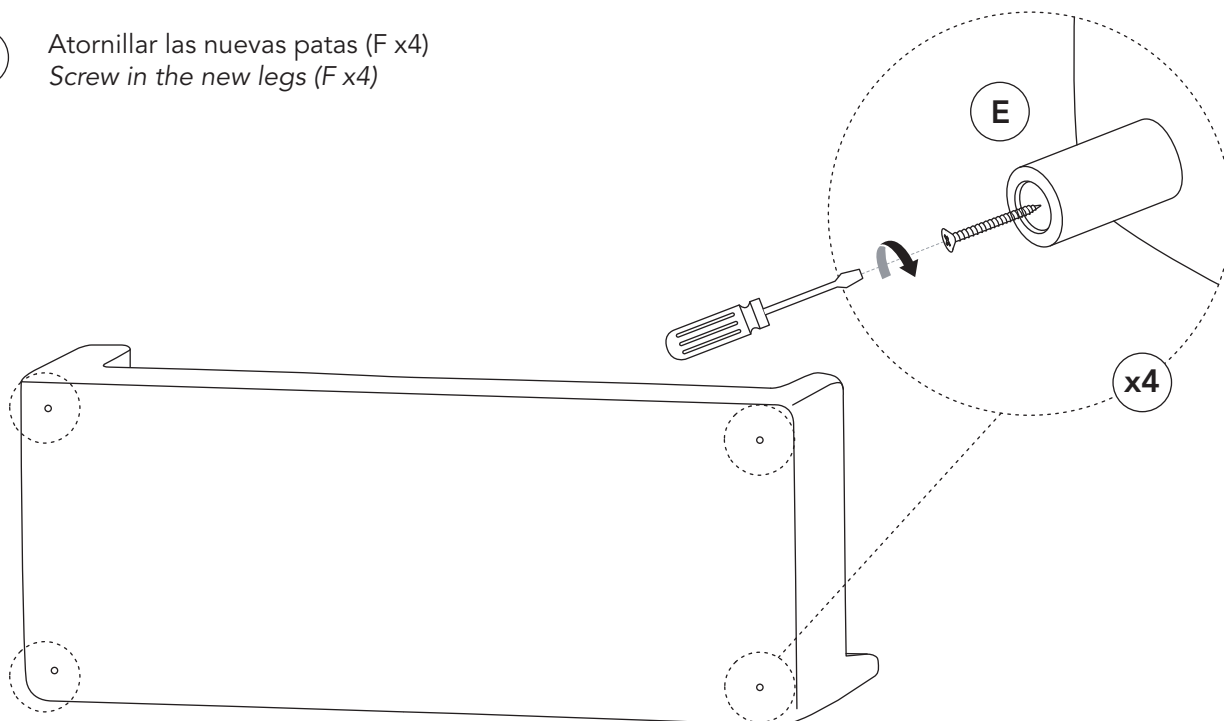
E x4



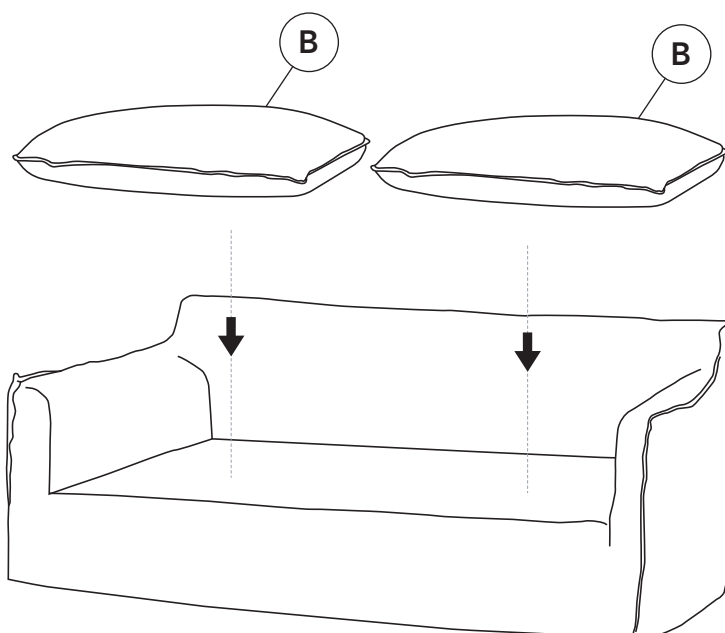
- 1 Desatornillar las patas preinstaladas (x4)
Unscrew the pre-installed legs (x4)



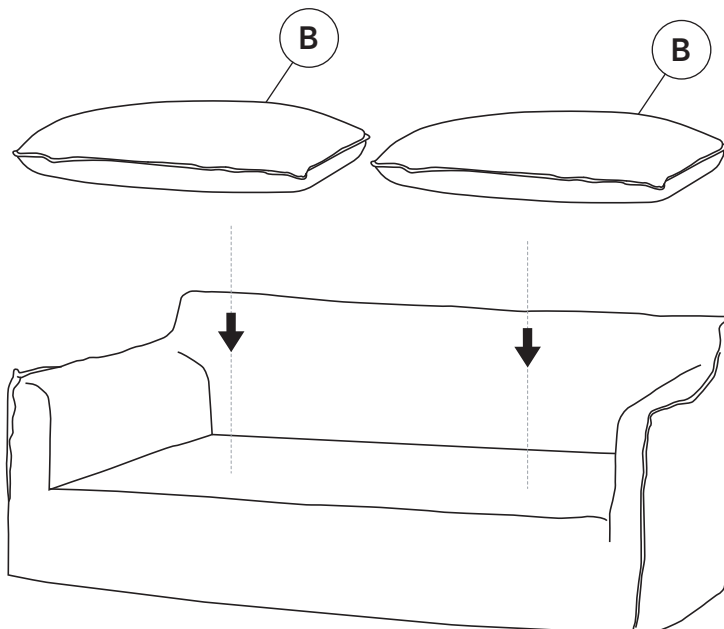
- 2 Atornillar las nuevas patas (F x4)
Screw in the new legs (F x4)



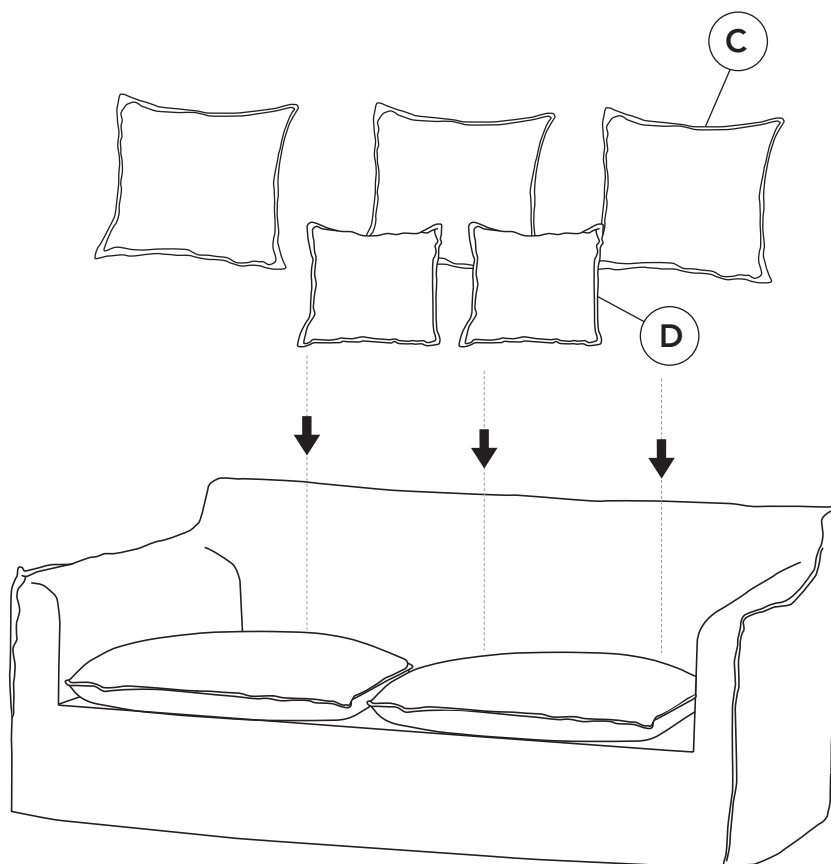
- 3



4



5





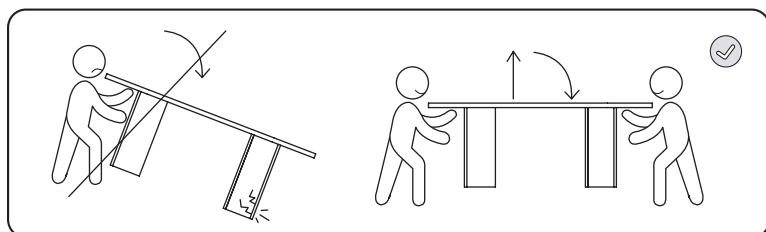
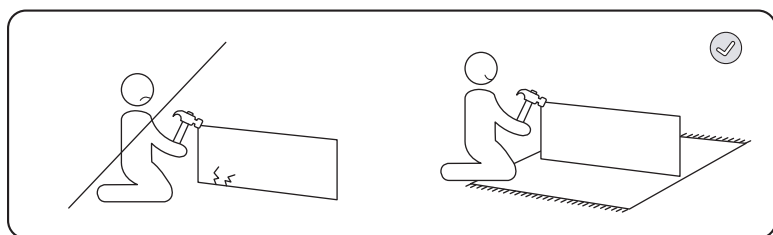
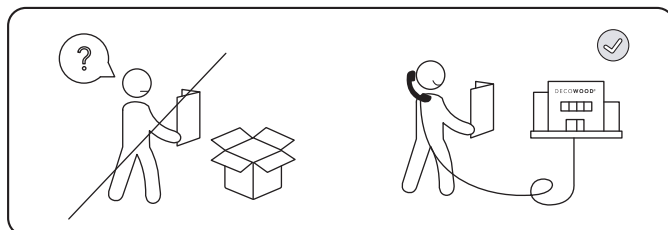
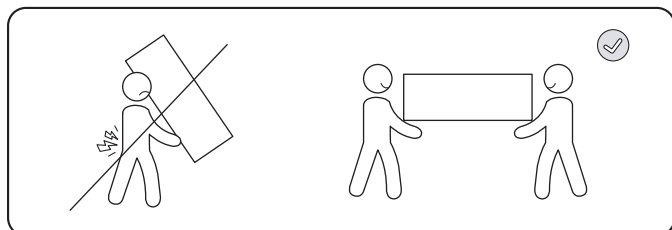
DECOWOOD®

**The change
starts here.**



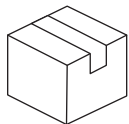
190 cm
220 cm



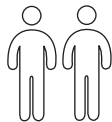




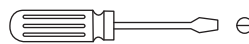
10 min



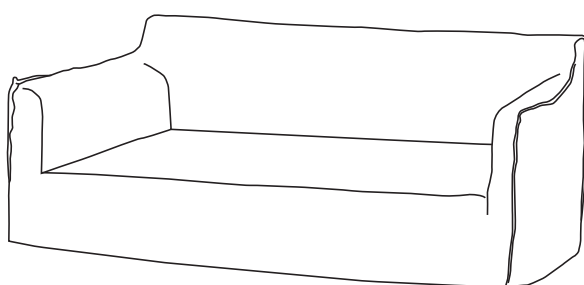
x1



x2



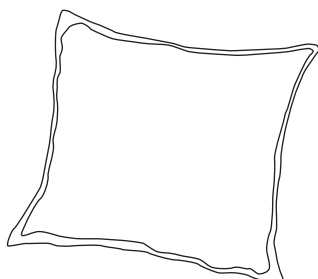
x1



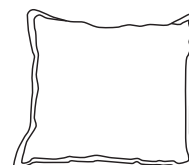
A x1



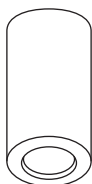
B x2



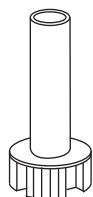
C x4 - 190 cm
x5 - 220 cm



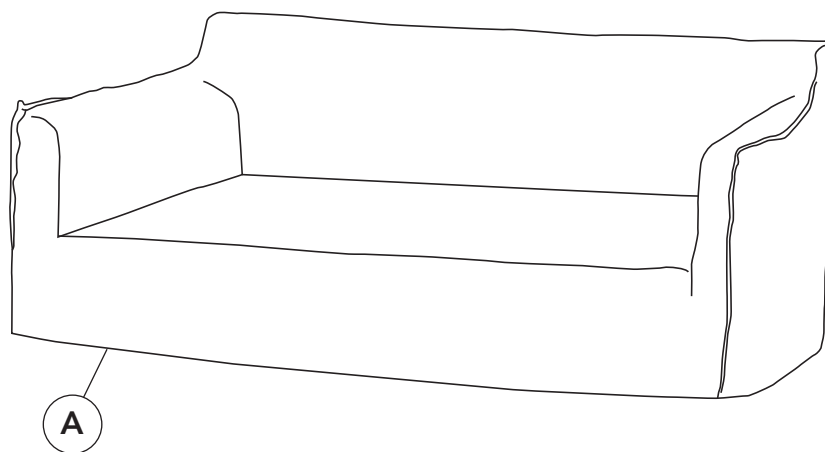
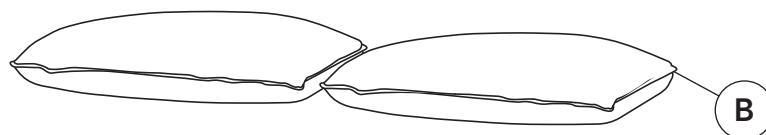
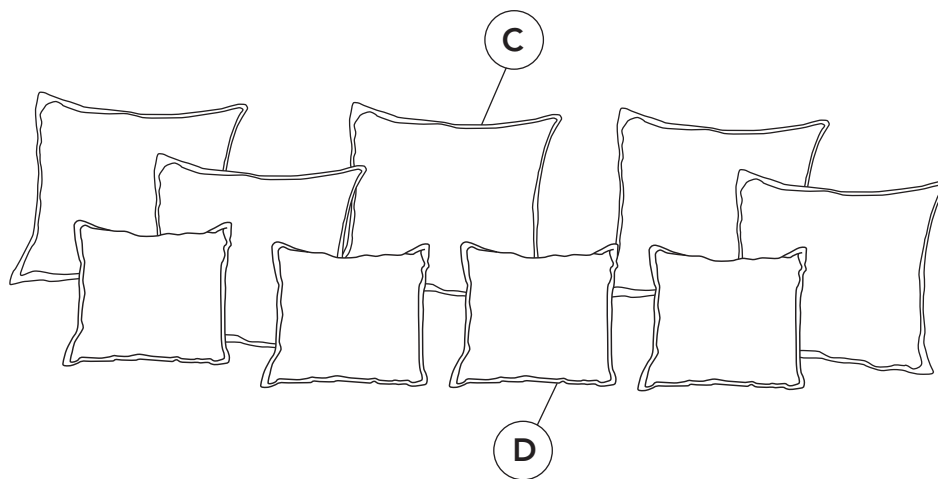
D x3 - 190 cm
x4 - 220 cm



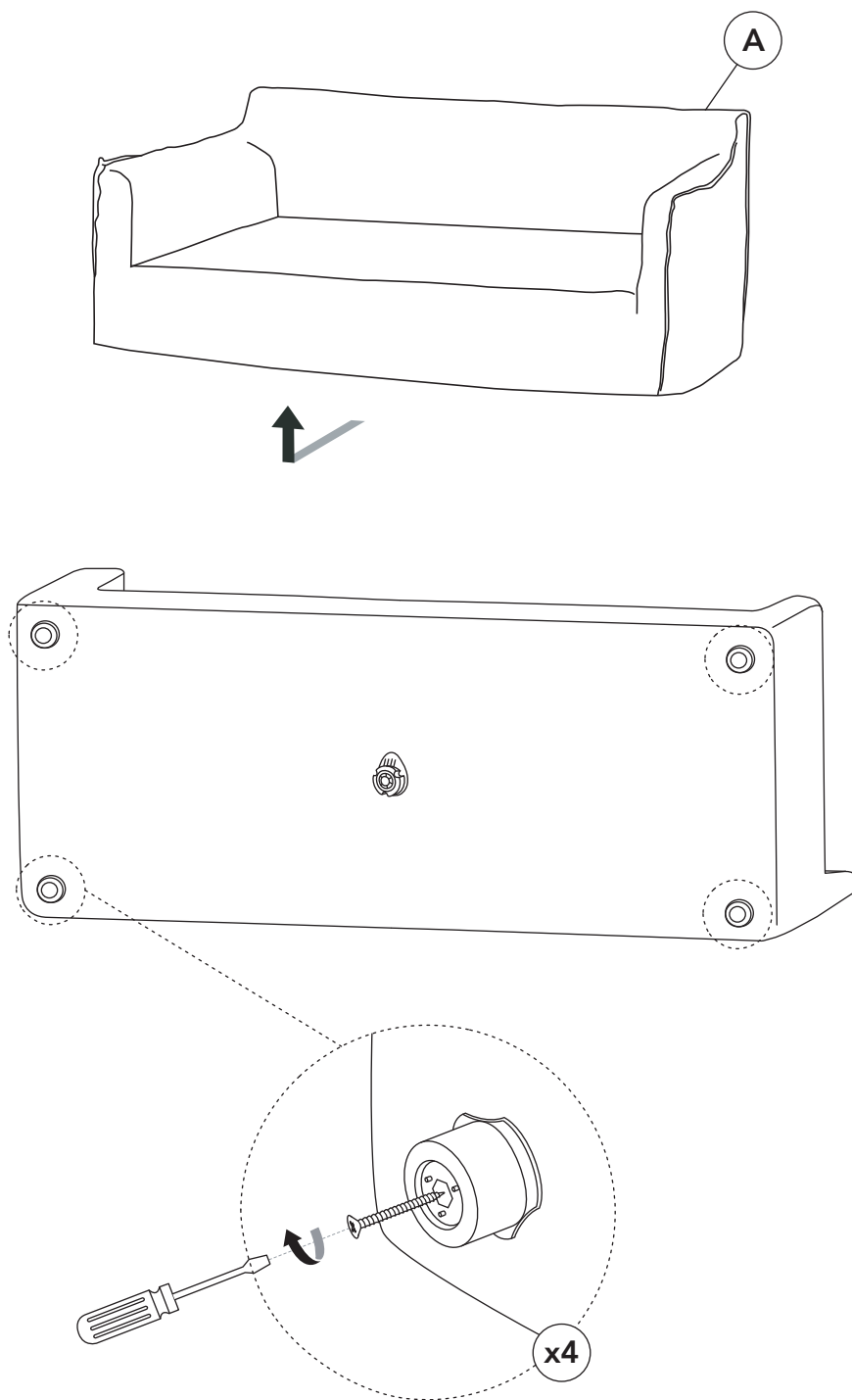
E x4



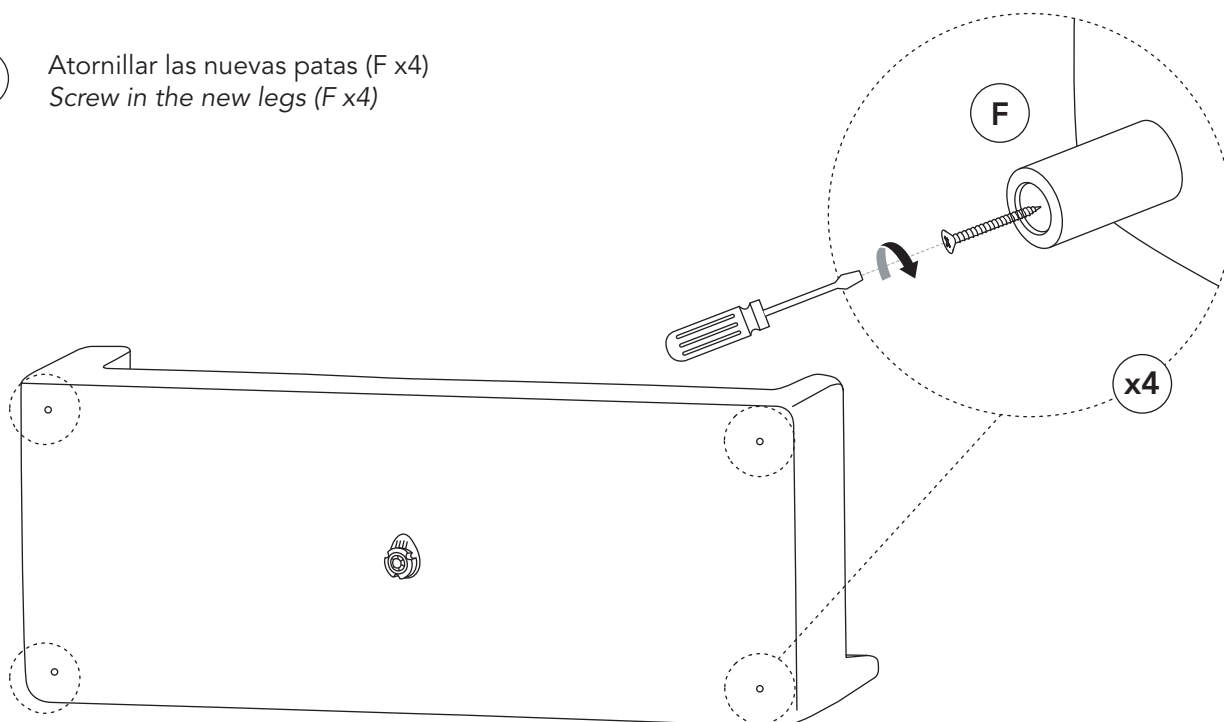
F x1



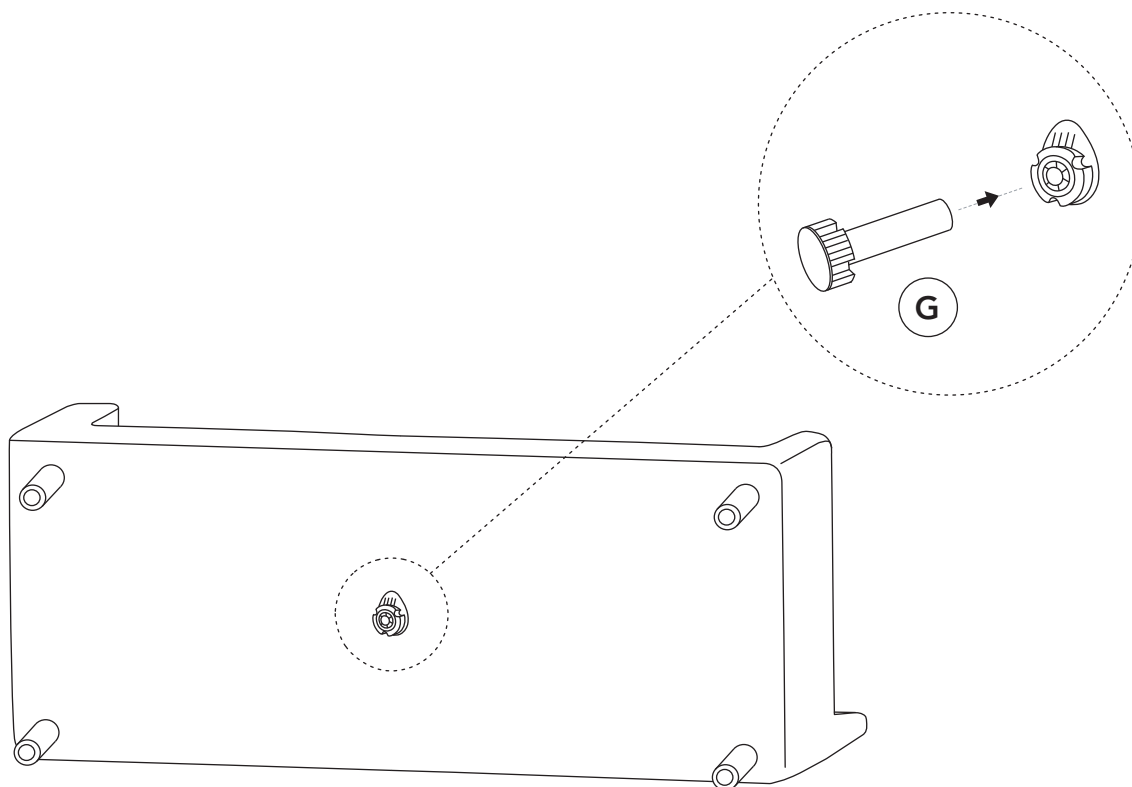
- 1 Desatornillar las patas preinstaladas (x4)
Unscrew the pre-installed legs (x4)



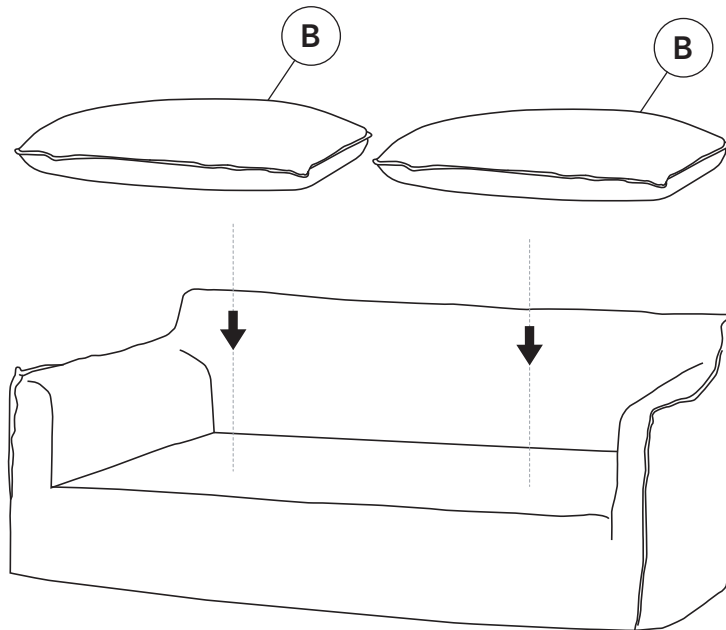
- 2 Atornillar las nuevas patas (F x4)
Screw in the new legs (F x4)



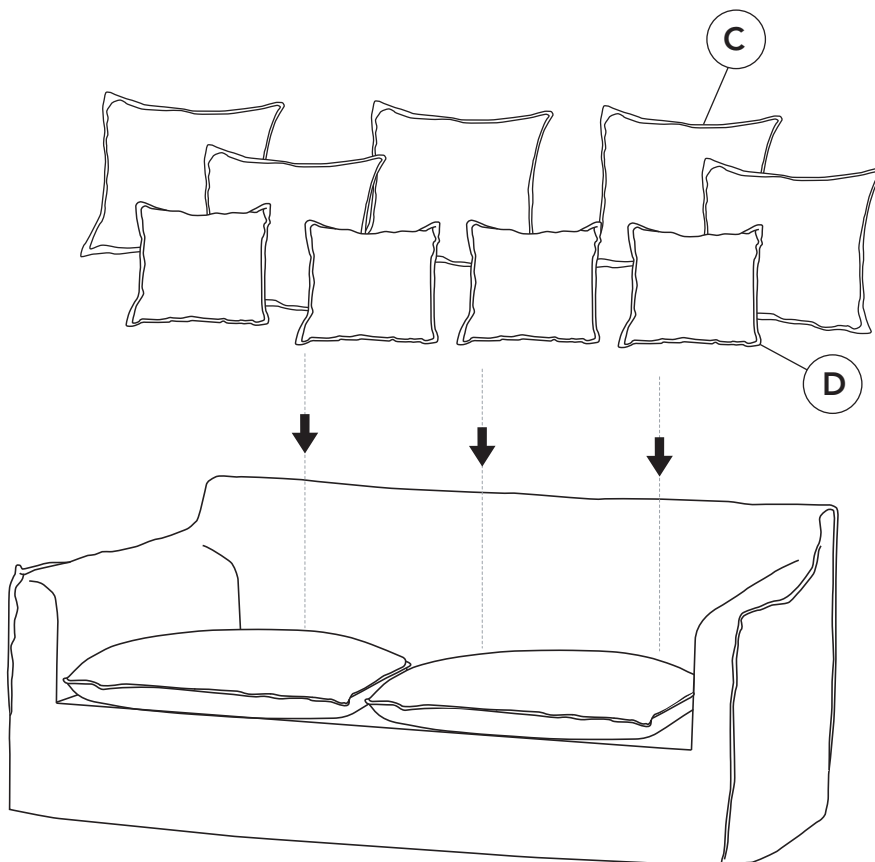
- 3



4



5





DECOWOOD®

**The change
starts here.**

