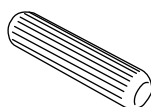
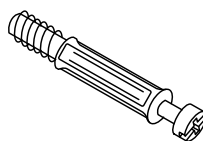


D x6
Ø15mm



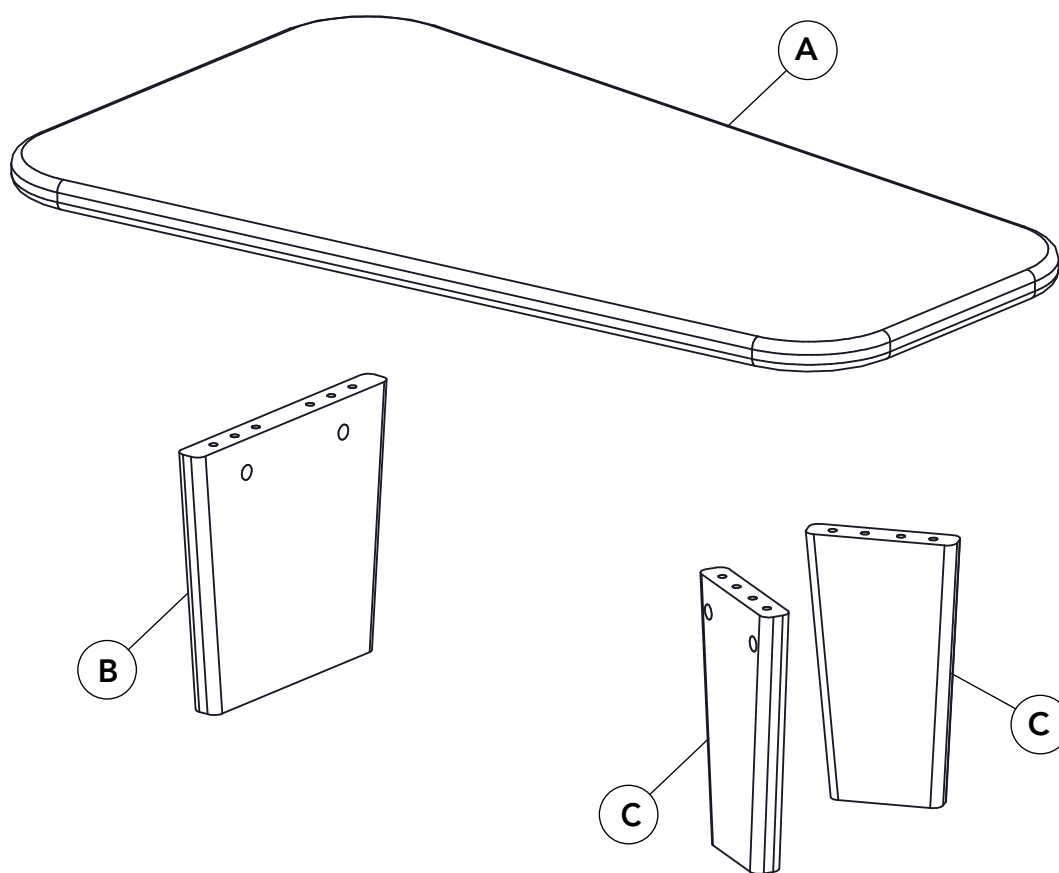
E x8
Ø8x30mm



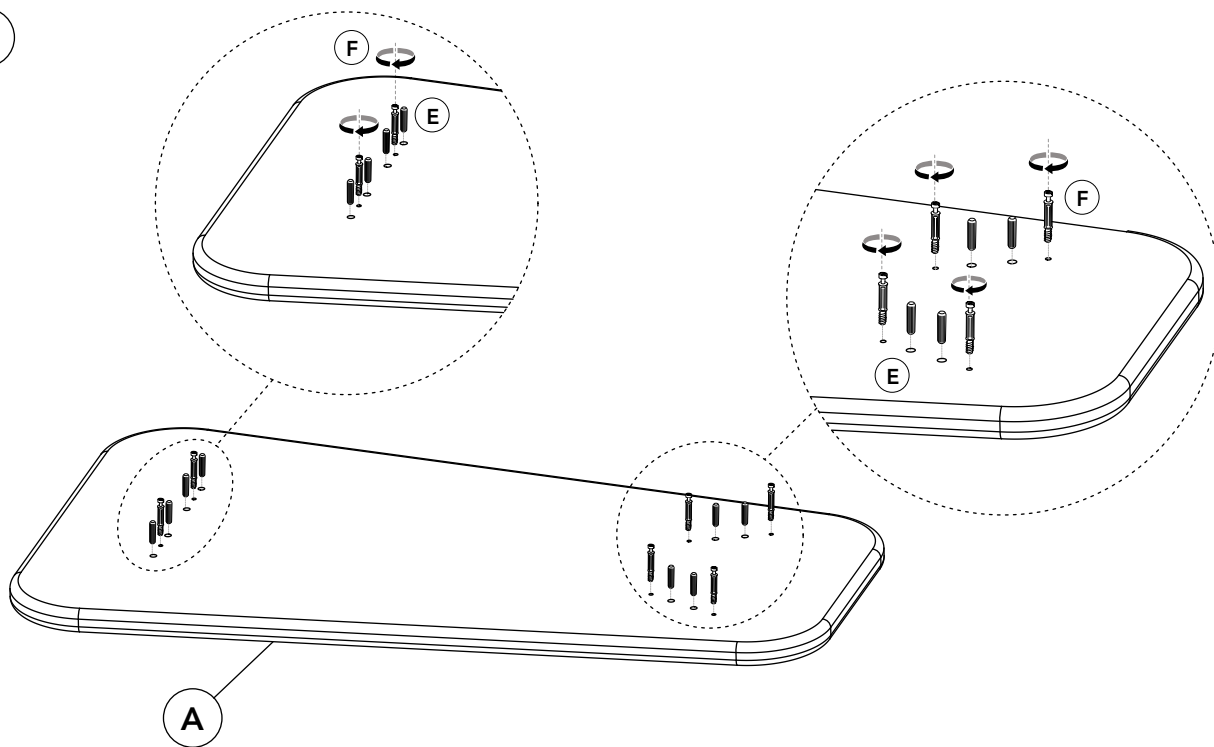
F x6
M6x40mm



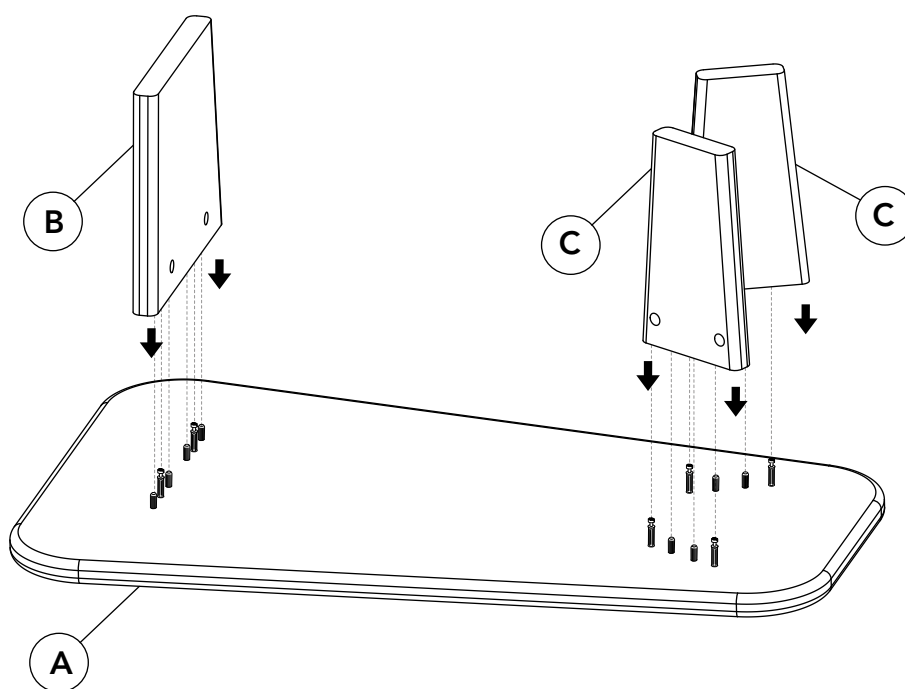
* **G** x6



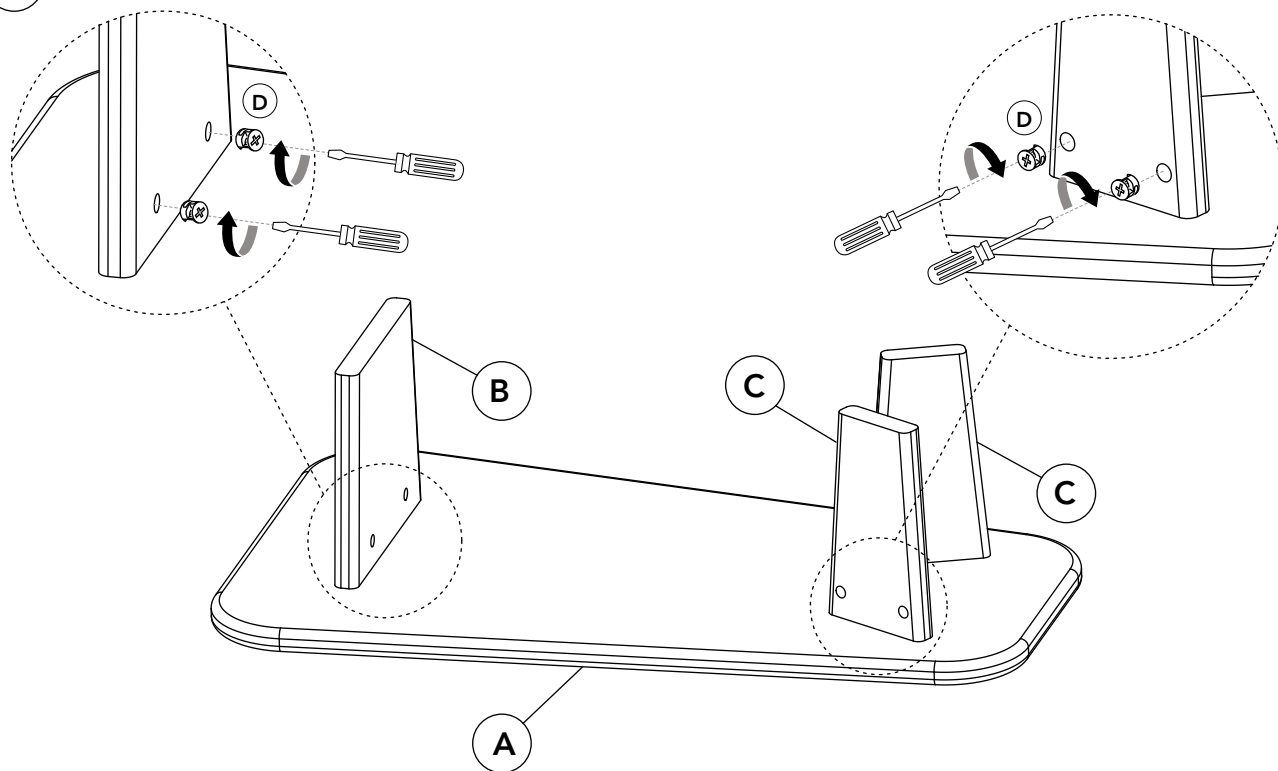
1



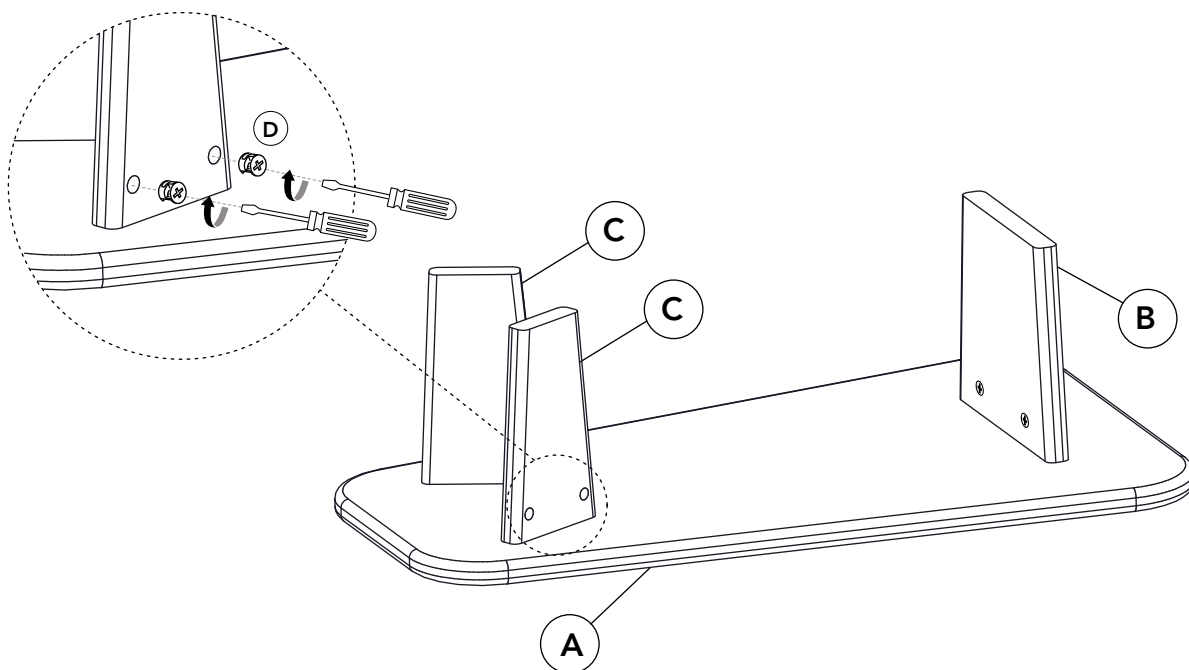
2



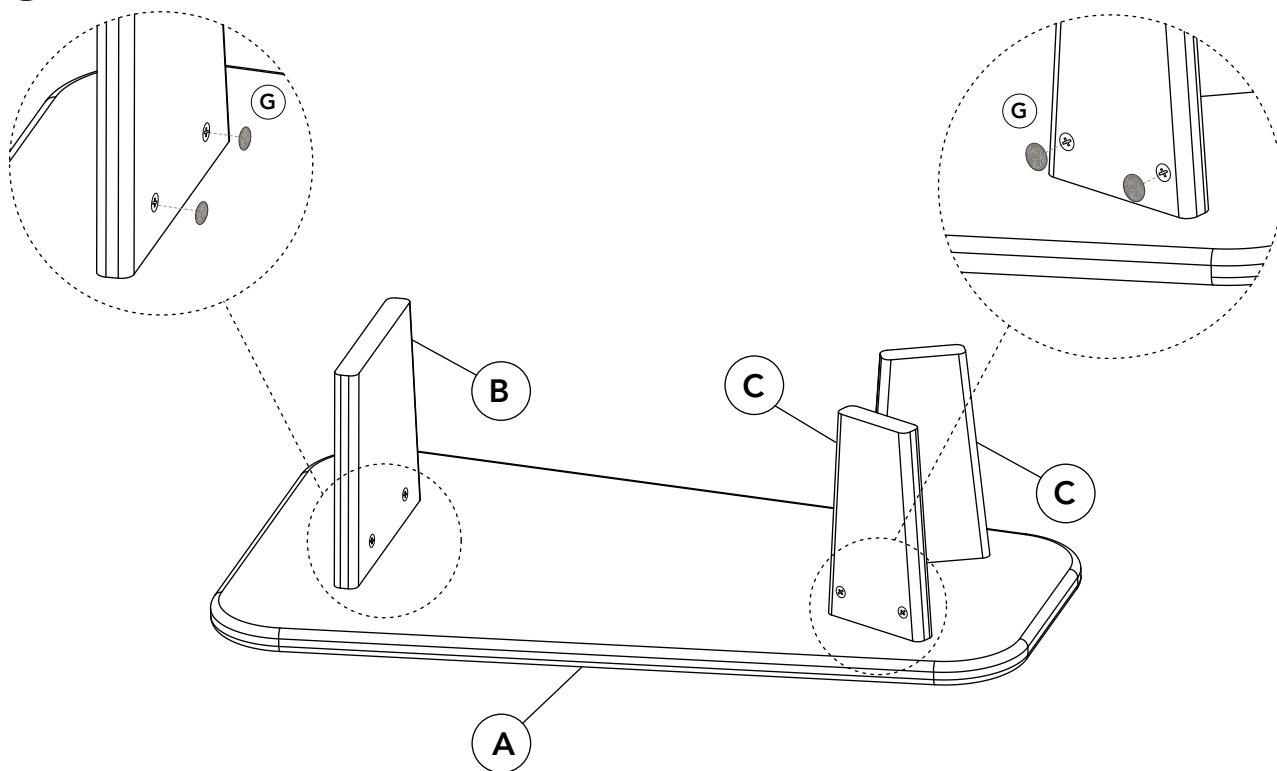
3



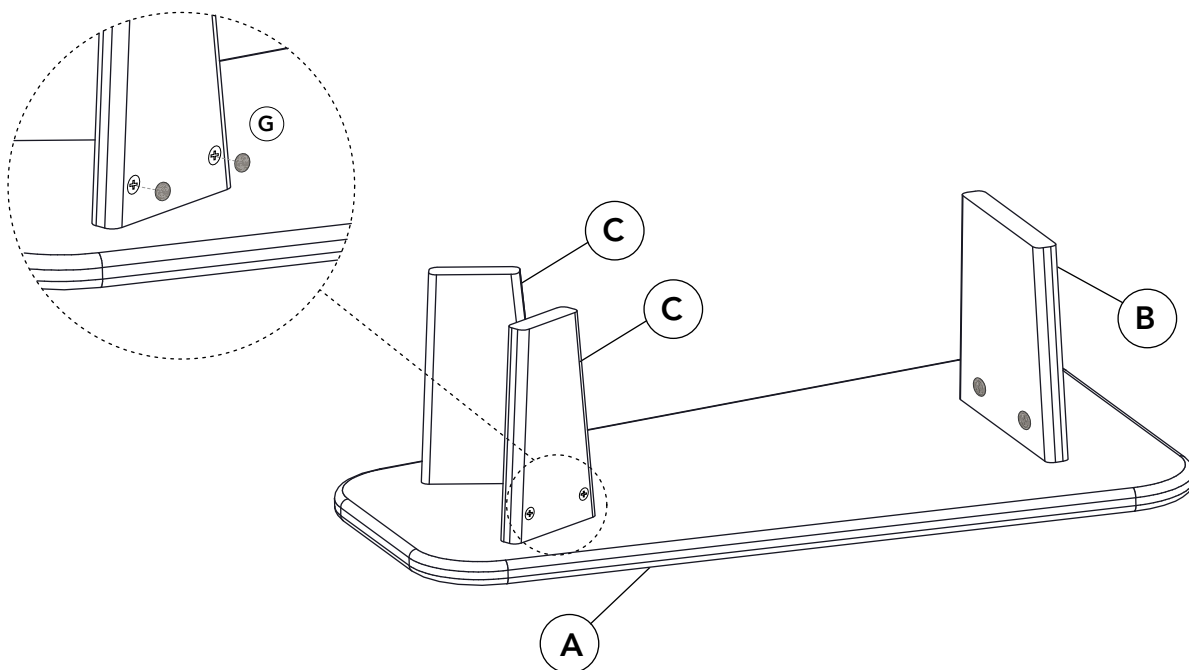
4



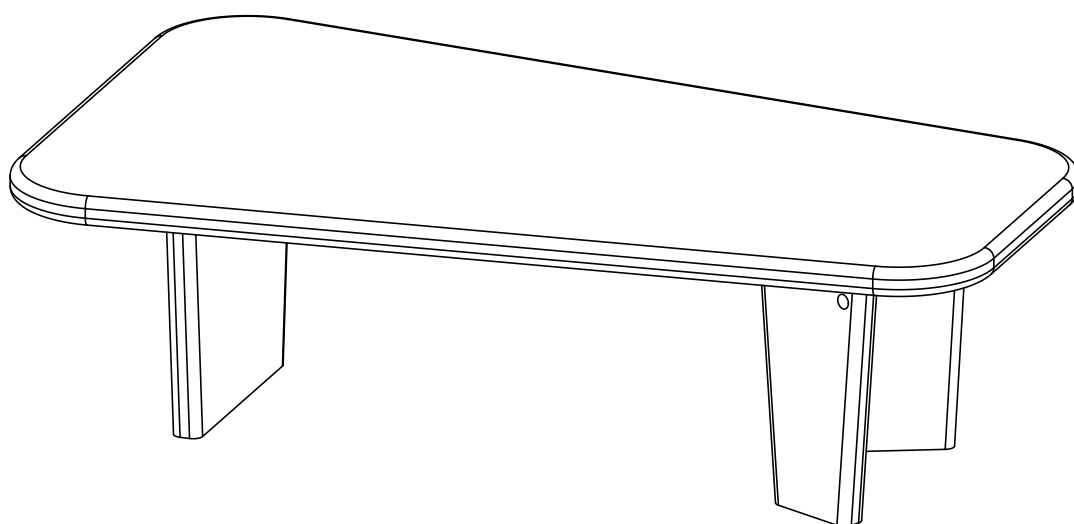
5 *



6 *



* ESP: Solo para patas de microcemento.
EN: Only for microcement legs.



DECOWOOD®

**The change
starts here.**

