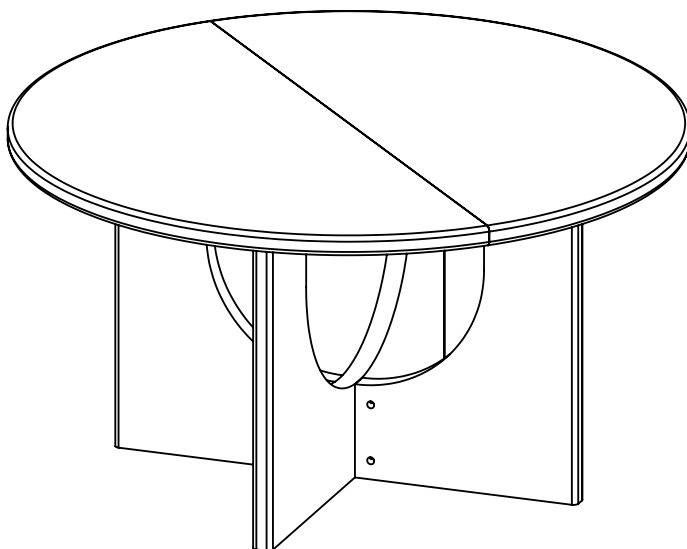
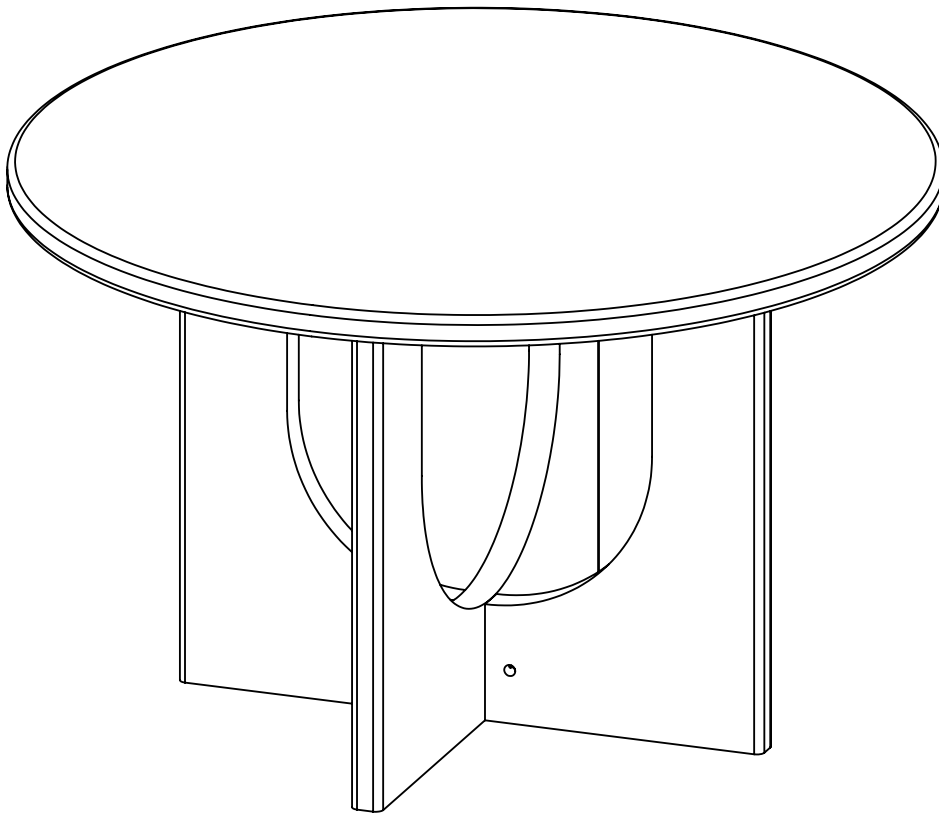
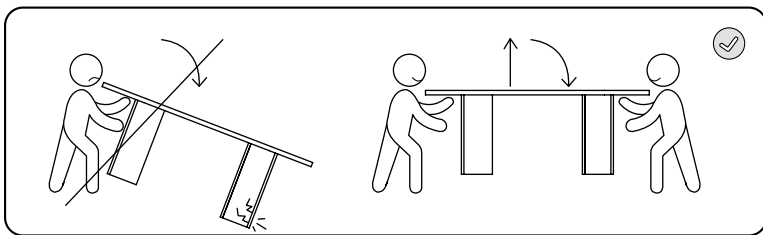
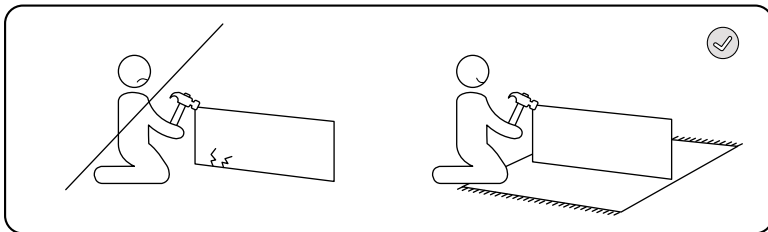
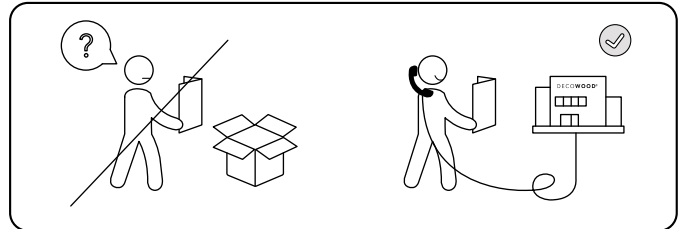
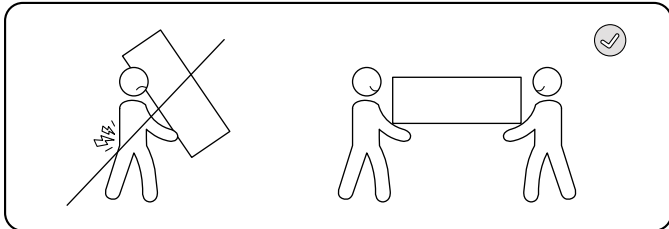


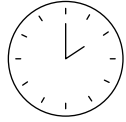
D120 cm



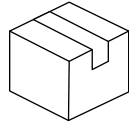
D140 cm
D160 cm







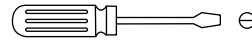
15 min



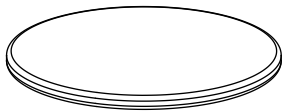
x2



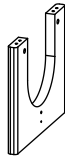
x2



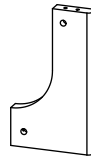
x1



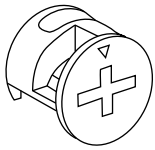
A x1



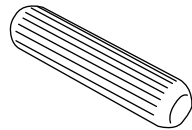
B x1



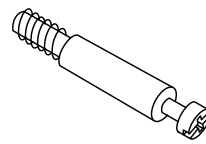
C x2



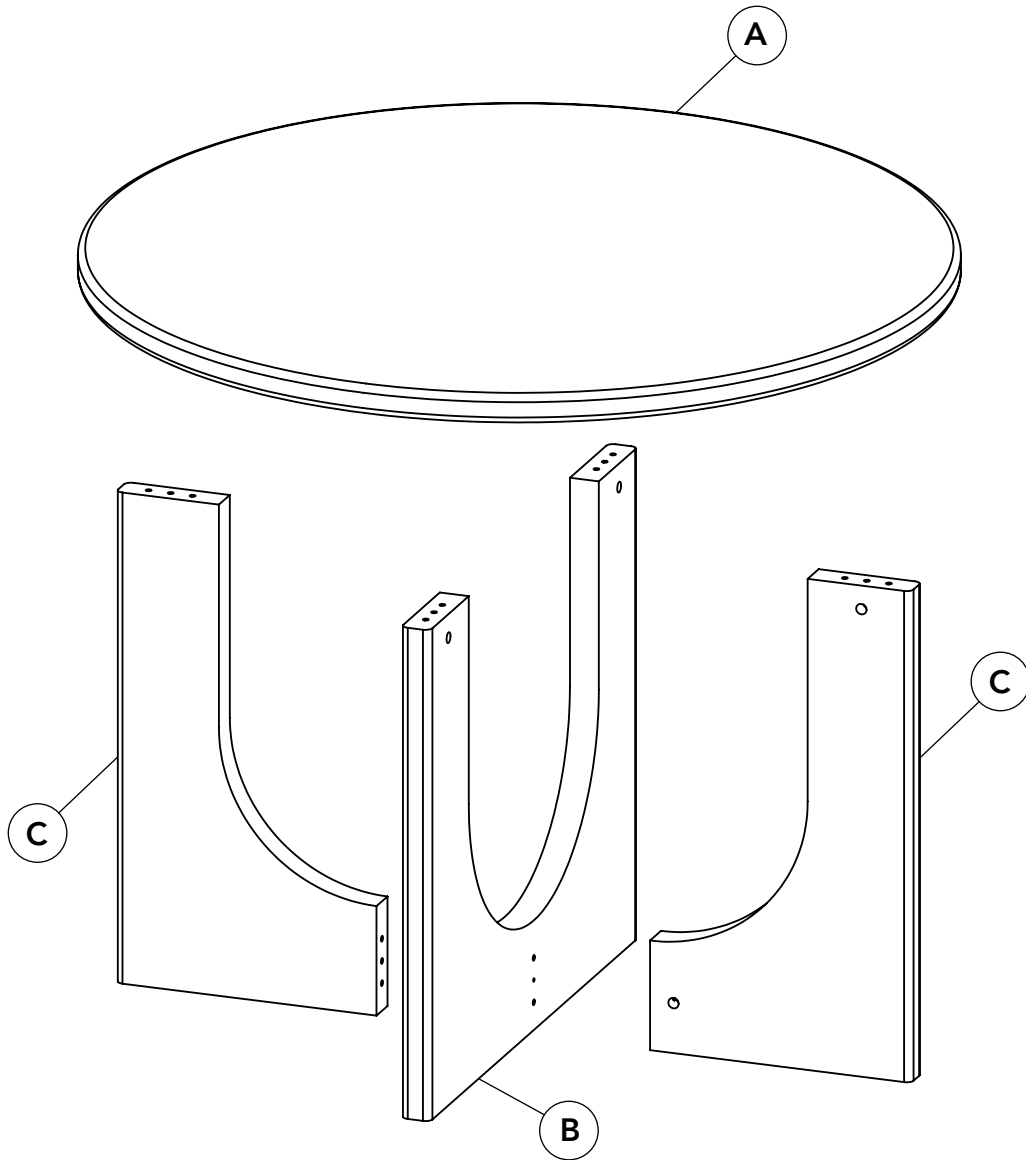
D x6
Ø15mm



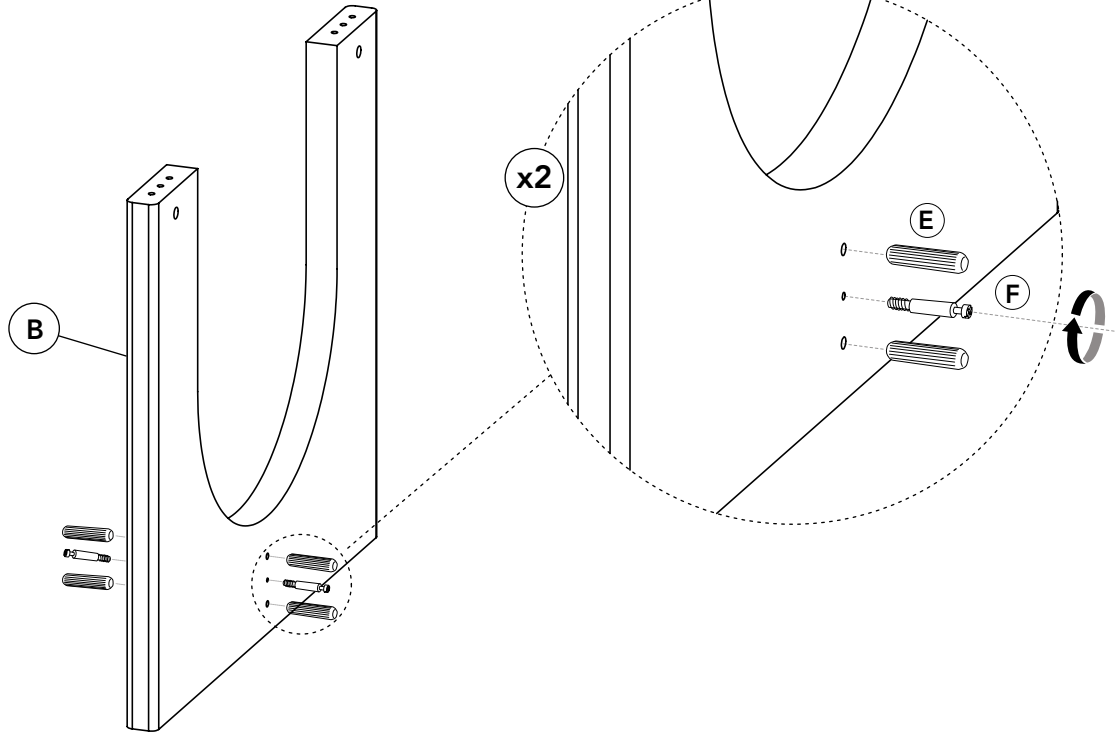
E x12
Ø8x30mm



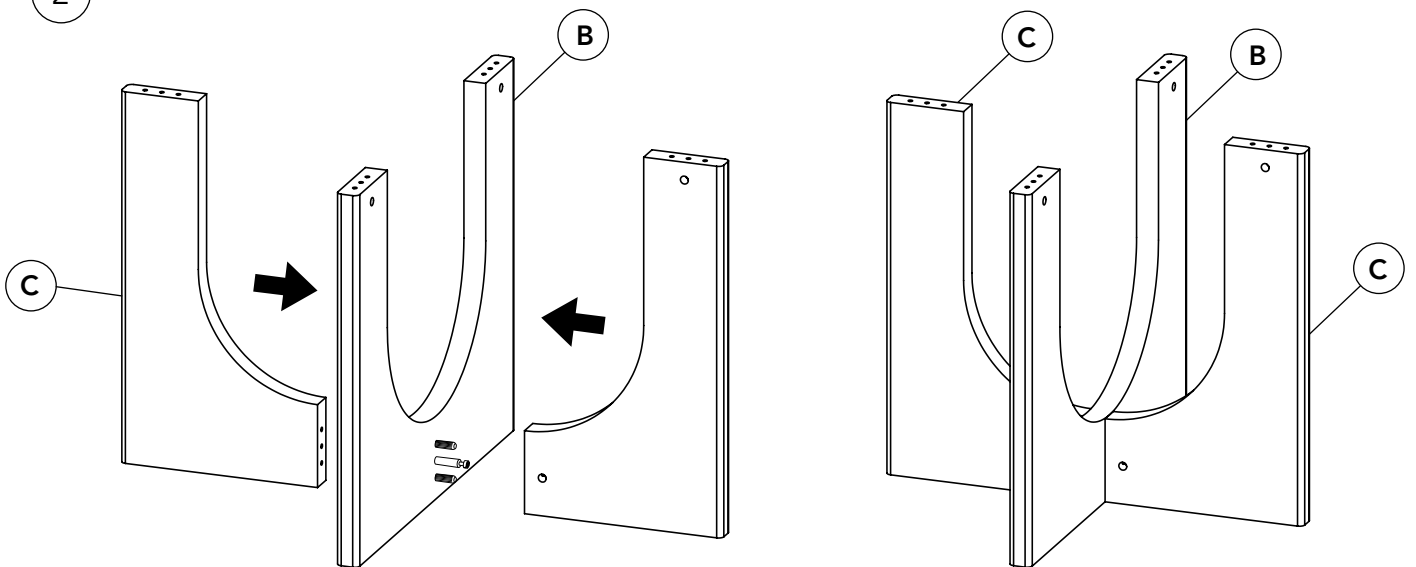
F x6
M6x40mm

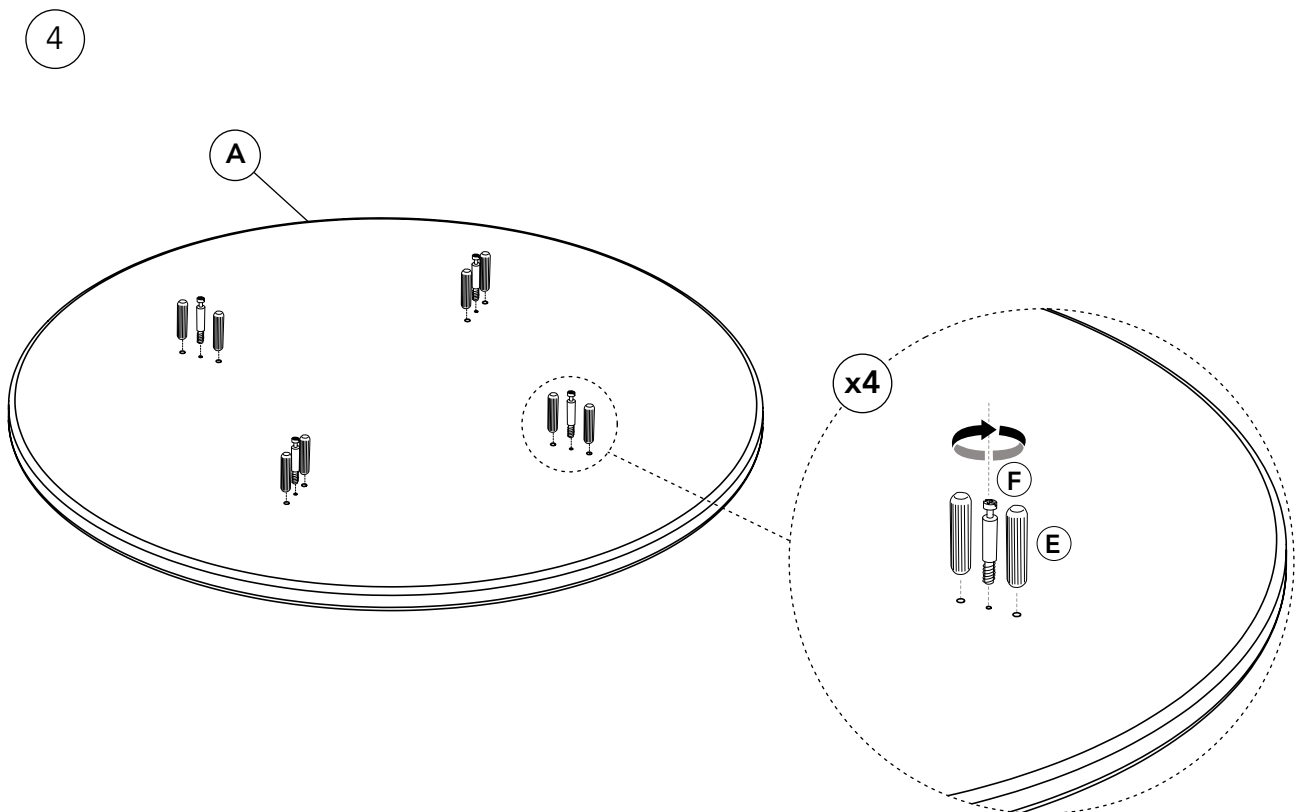
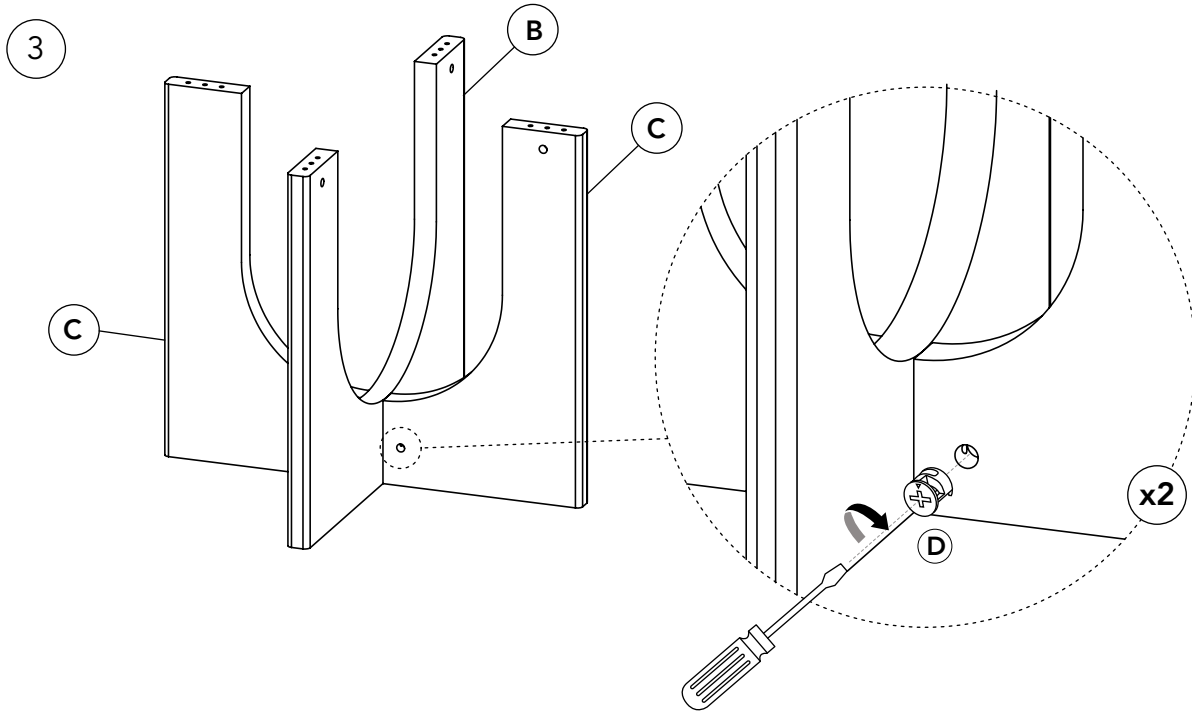


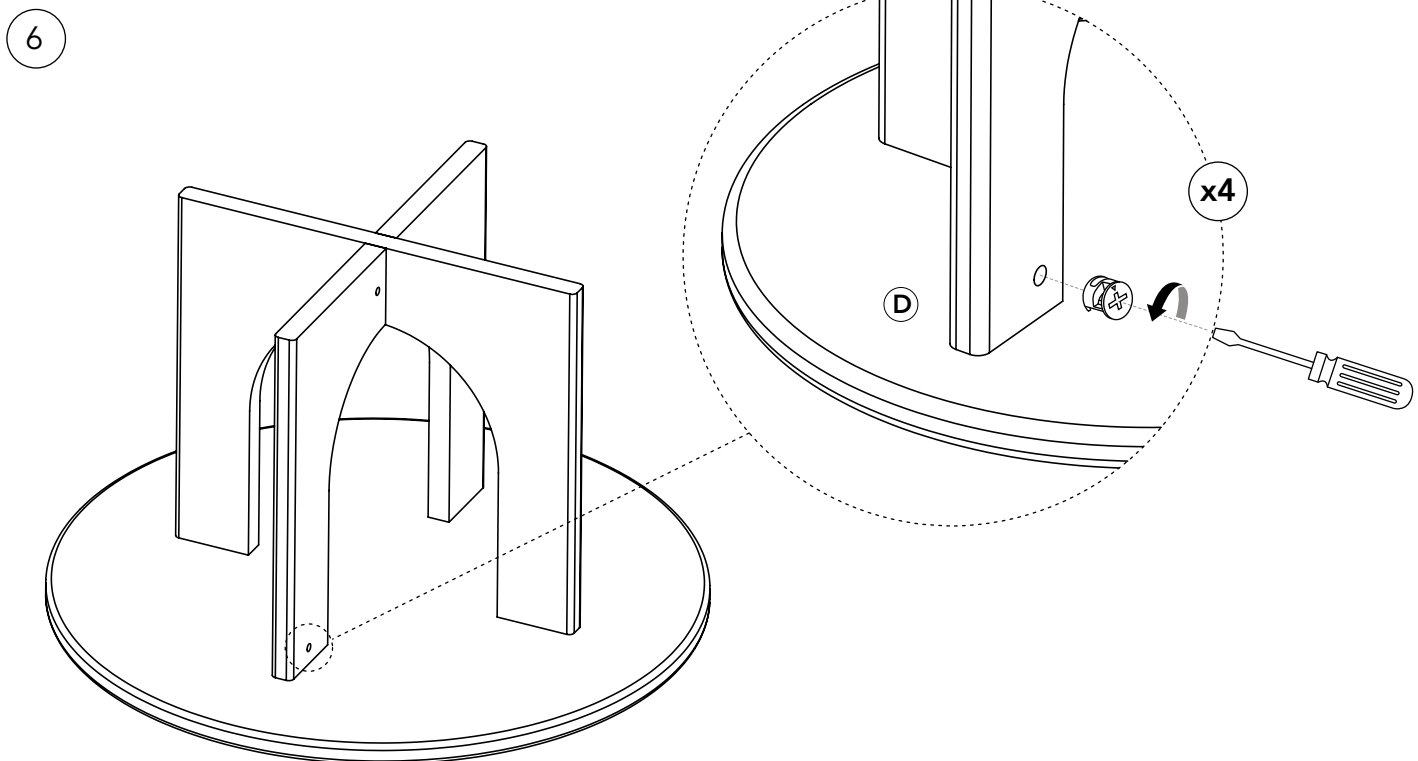
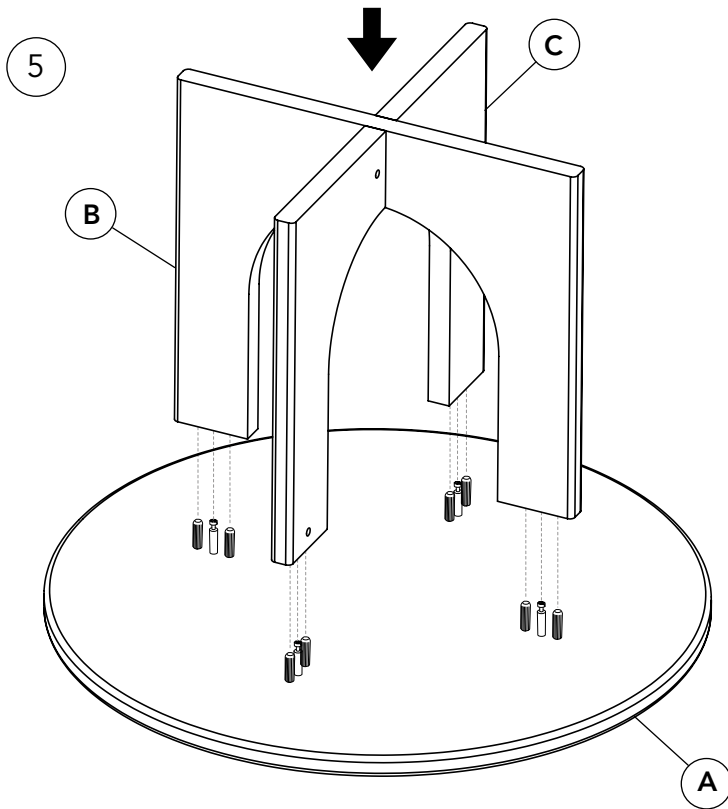
1

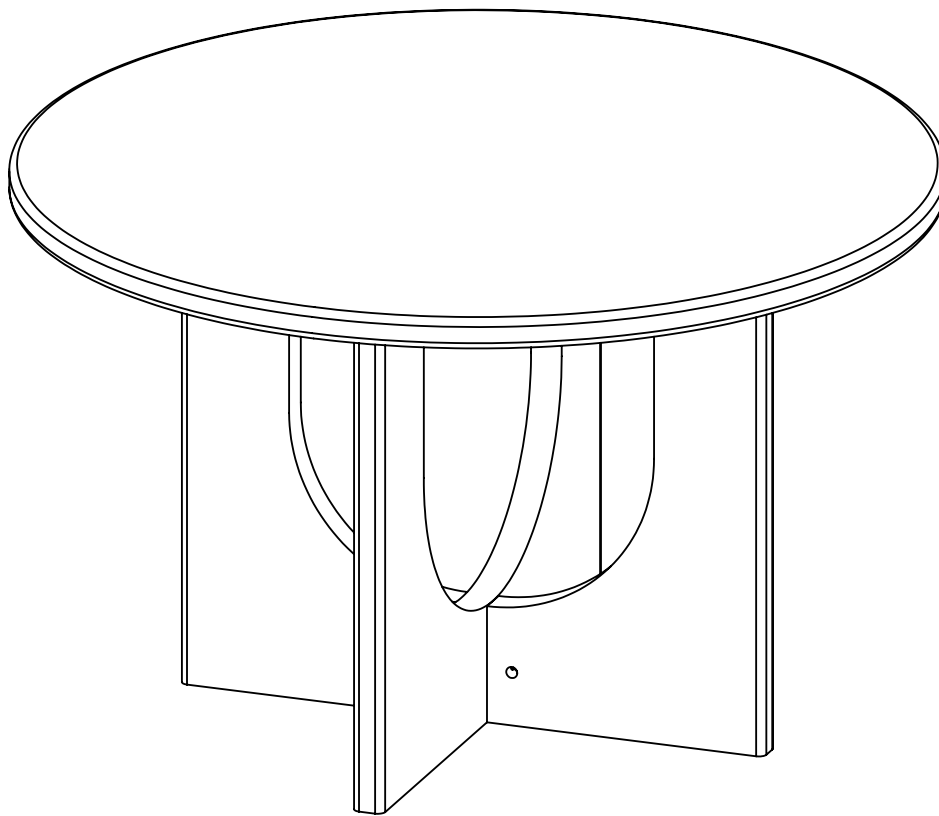


2







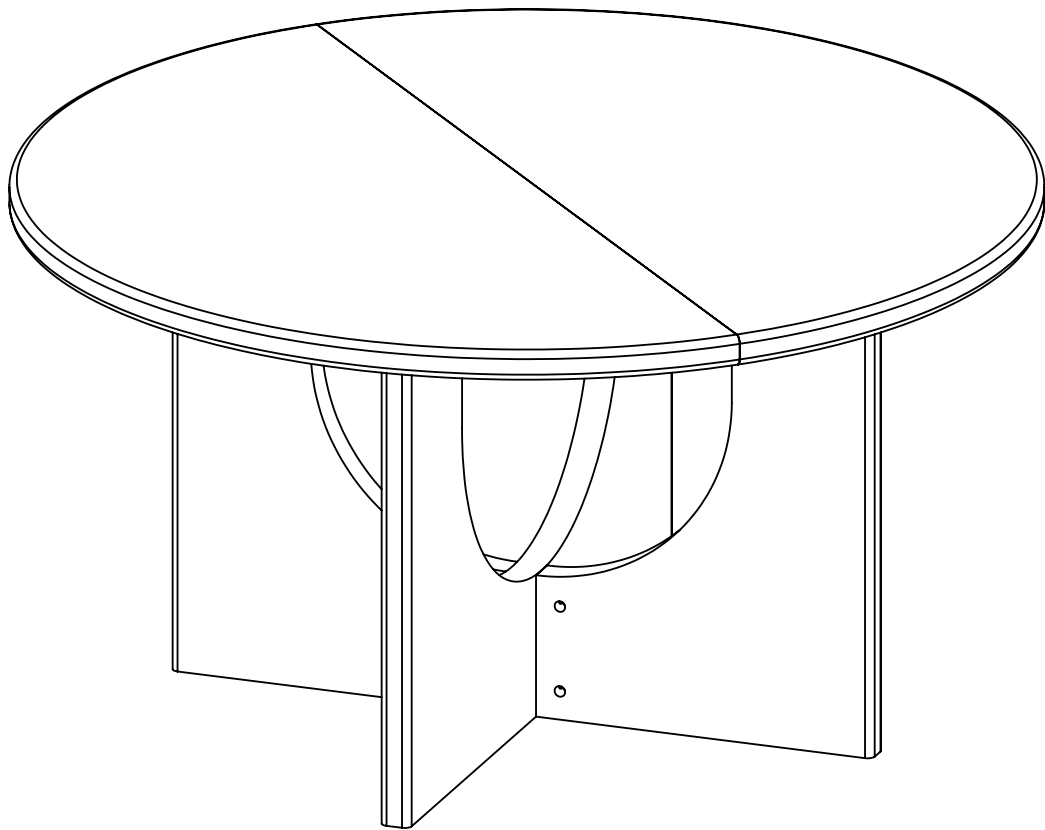


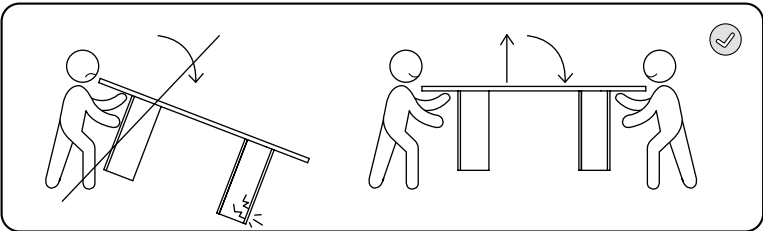
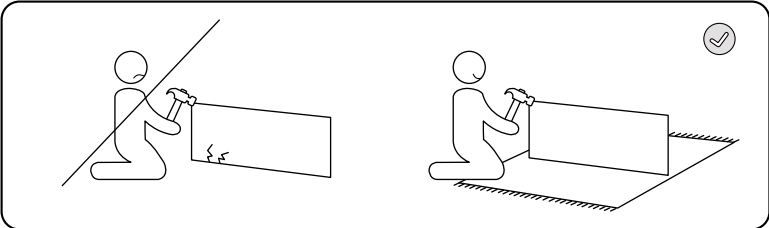
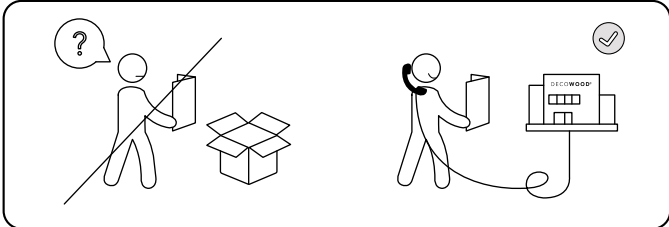
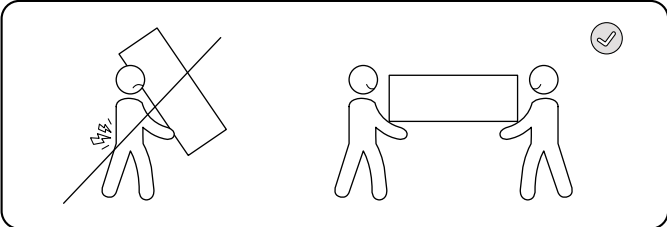
DECOWOOD®

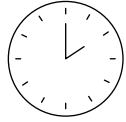
**The change
starts here.**



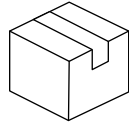
D140 cm
D160 cm



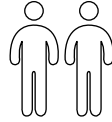




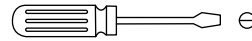
15 min



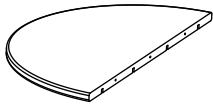
x2



x2



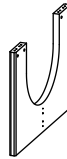
x1



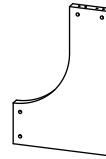
A1 x1



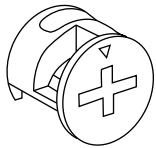
A2 x1



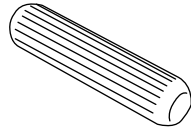
B x1



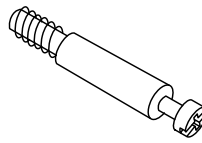
C x2



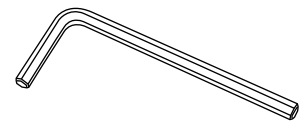
D x12
Ø15mm



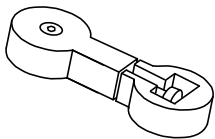
E x15
Ø8x30mm



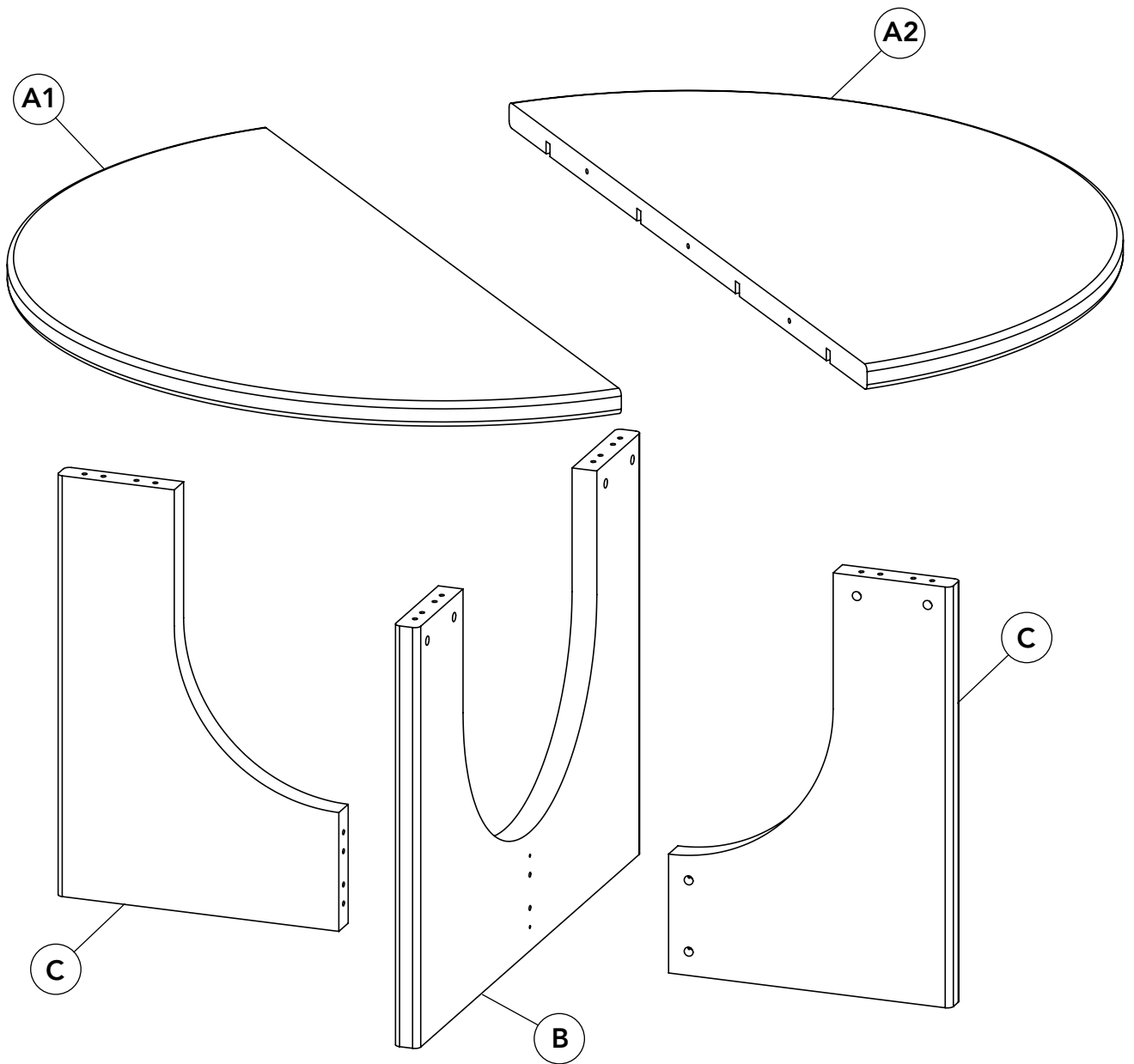
F x12
M6x40mm

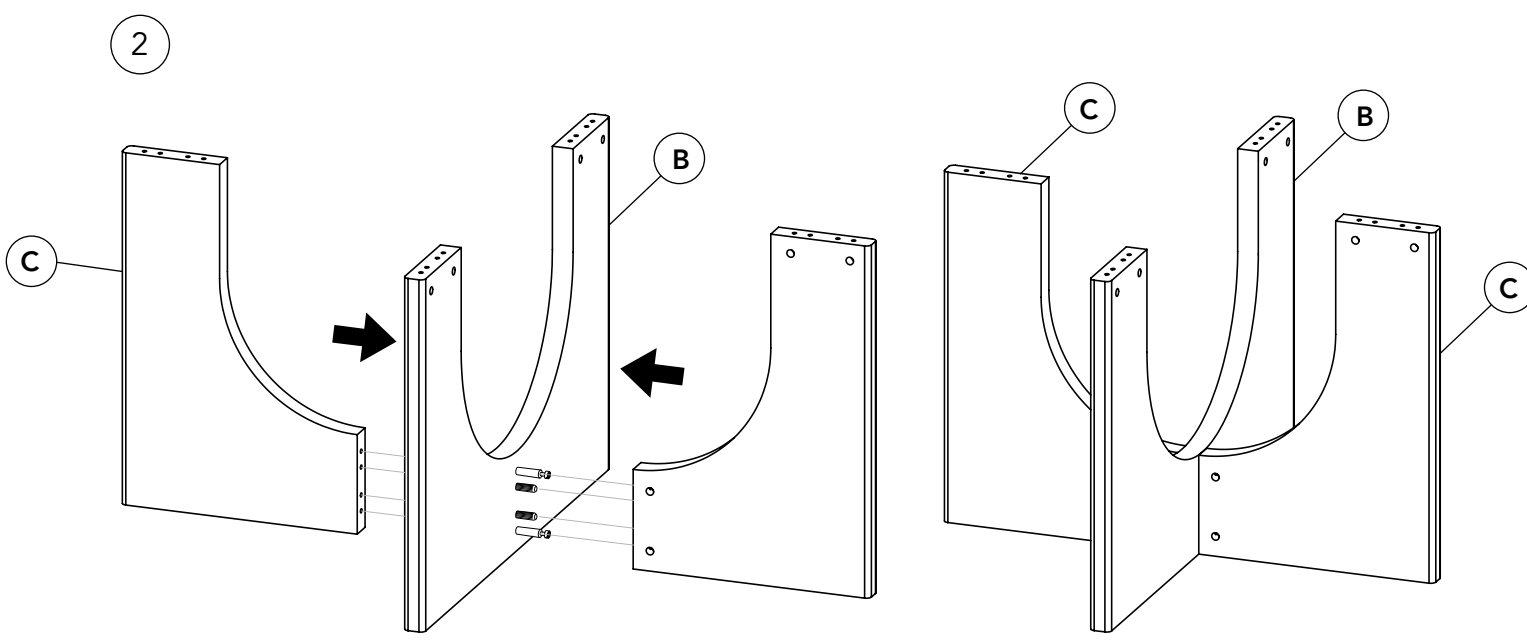
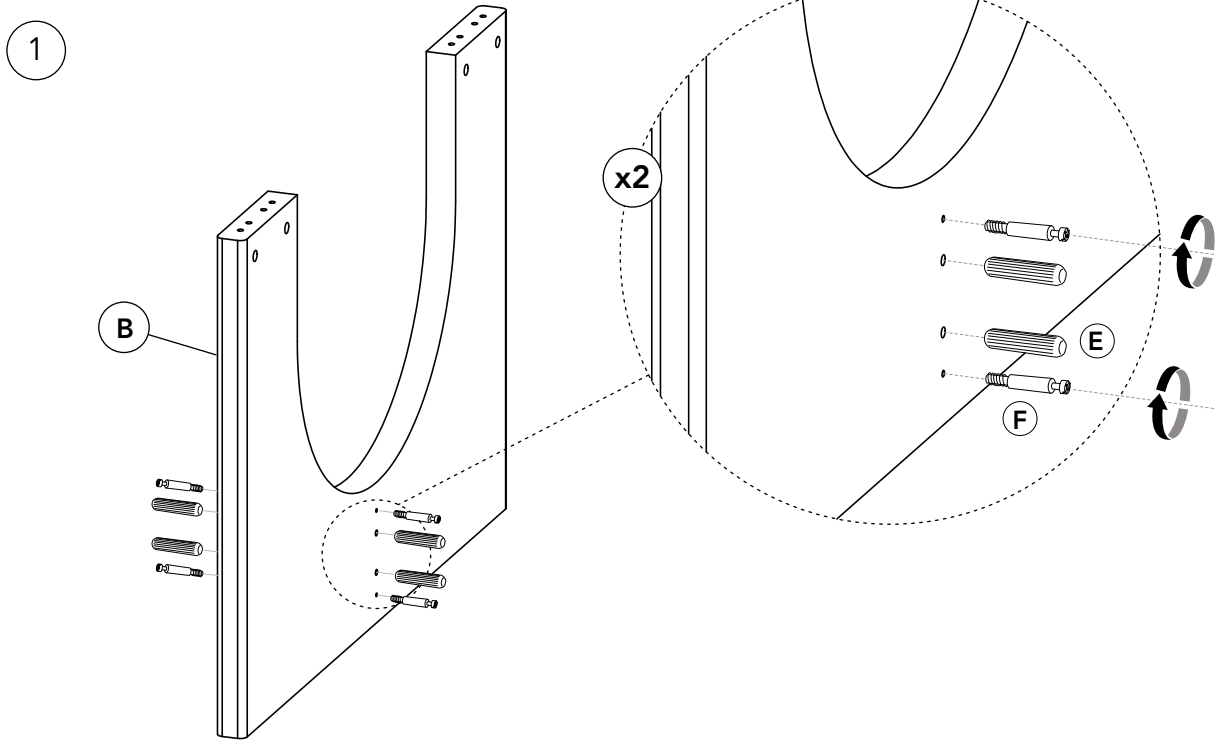


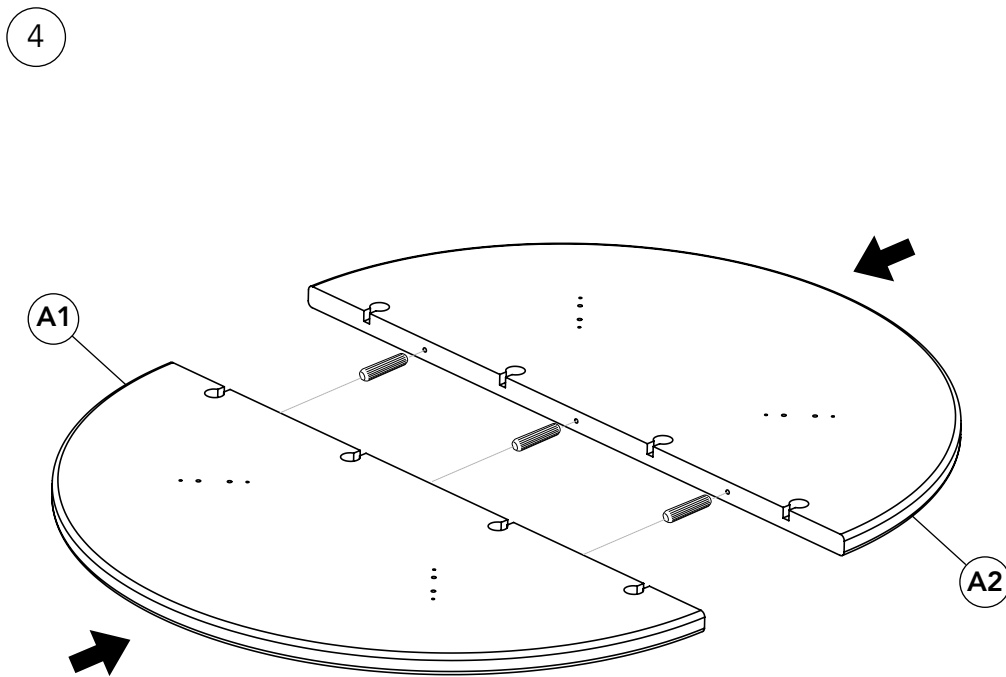
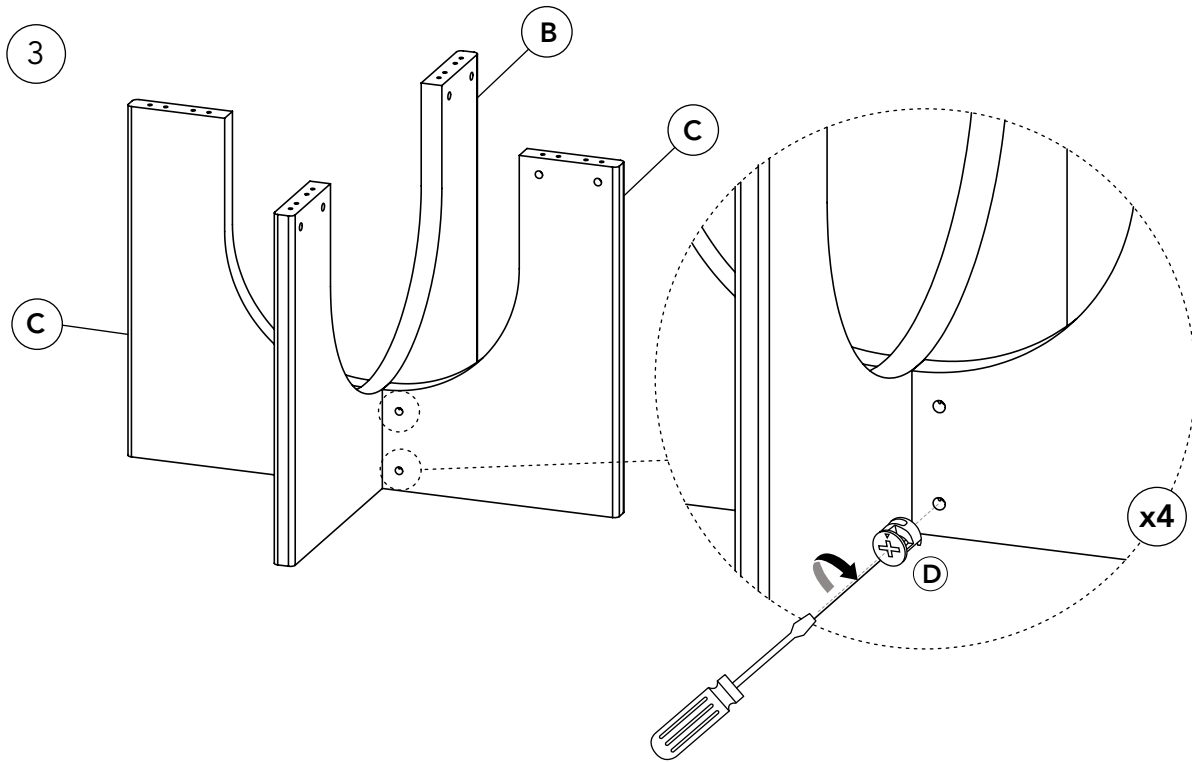
G x1
Allen SW6



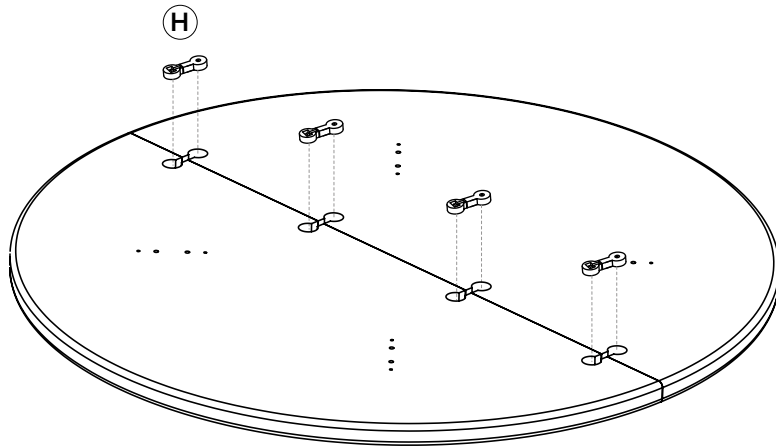
H x4
Ø35x64mm



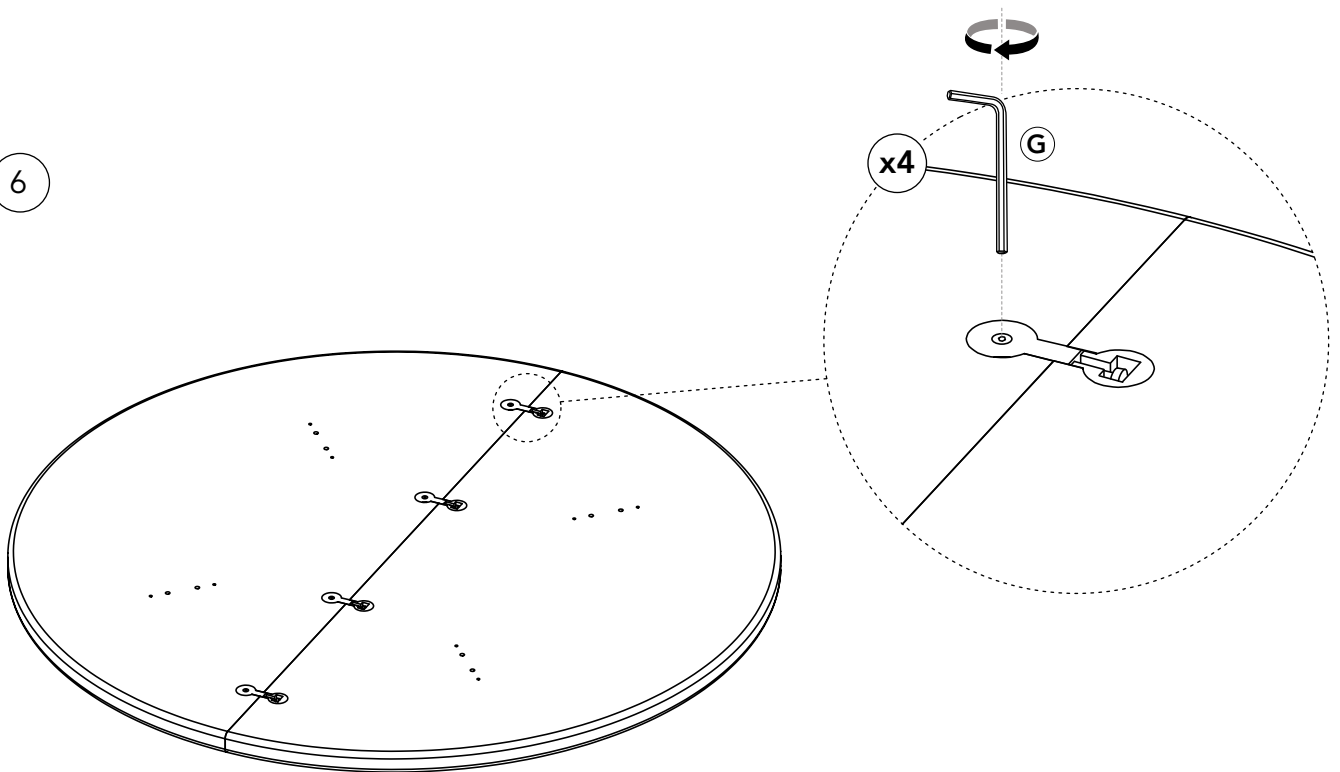




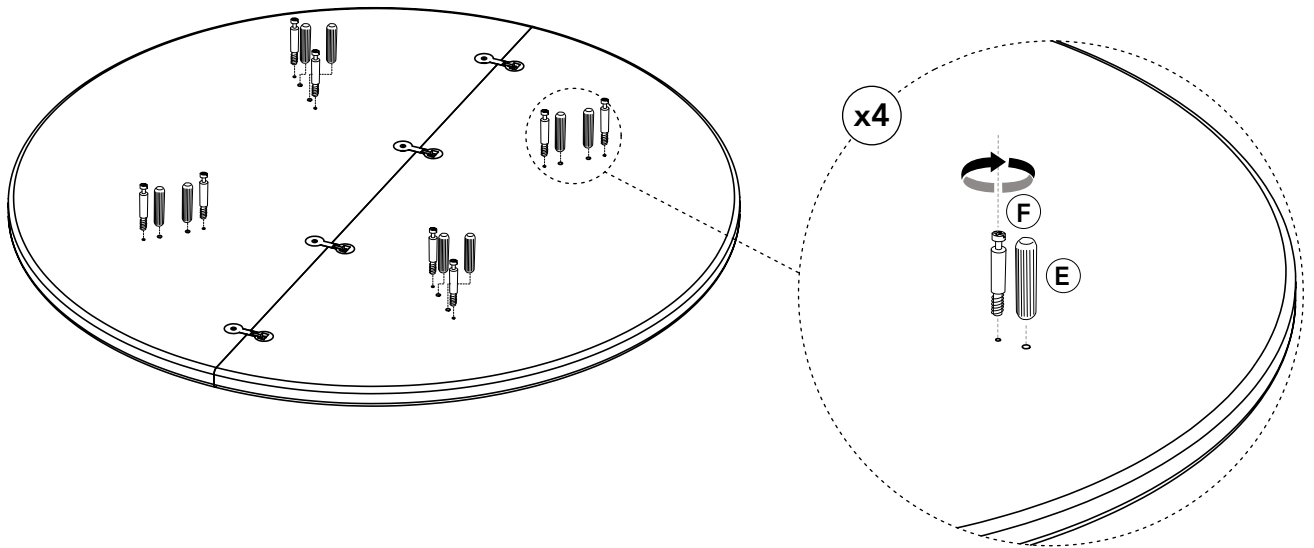
5



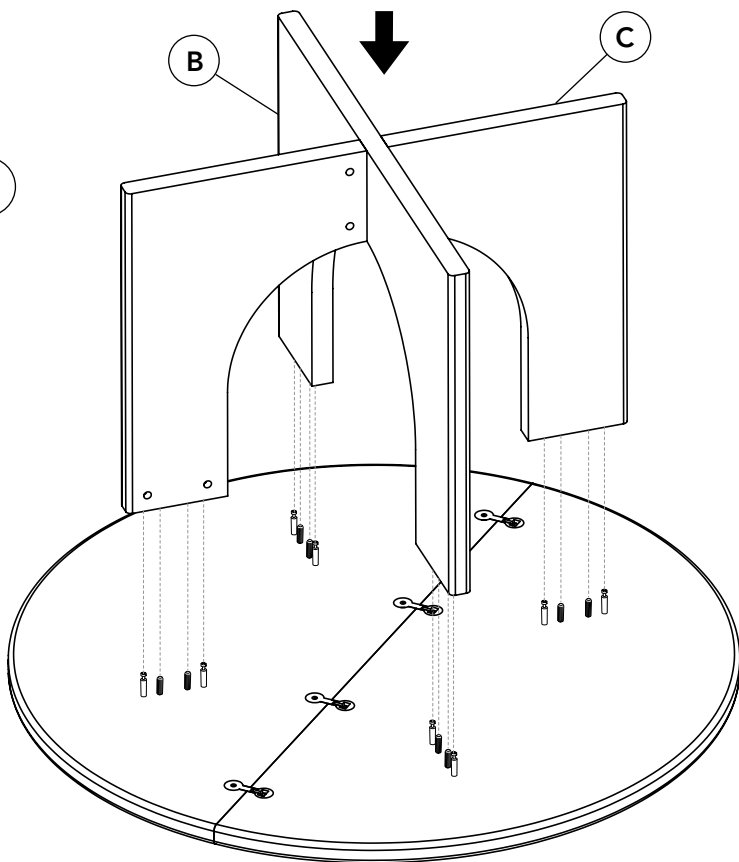
6



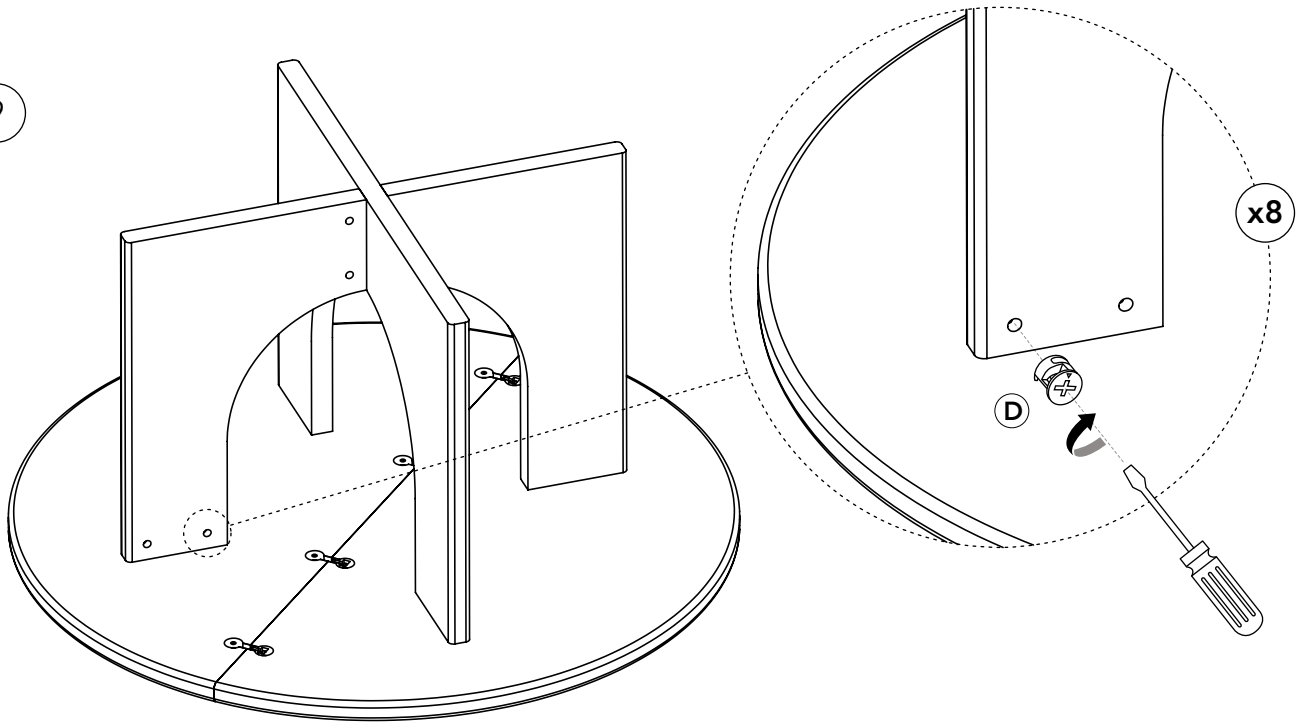
7

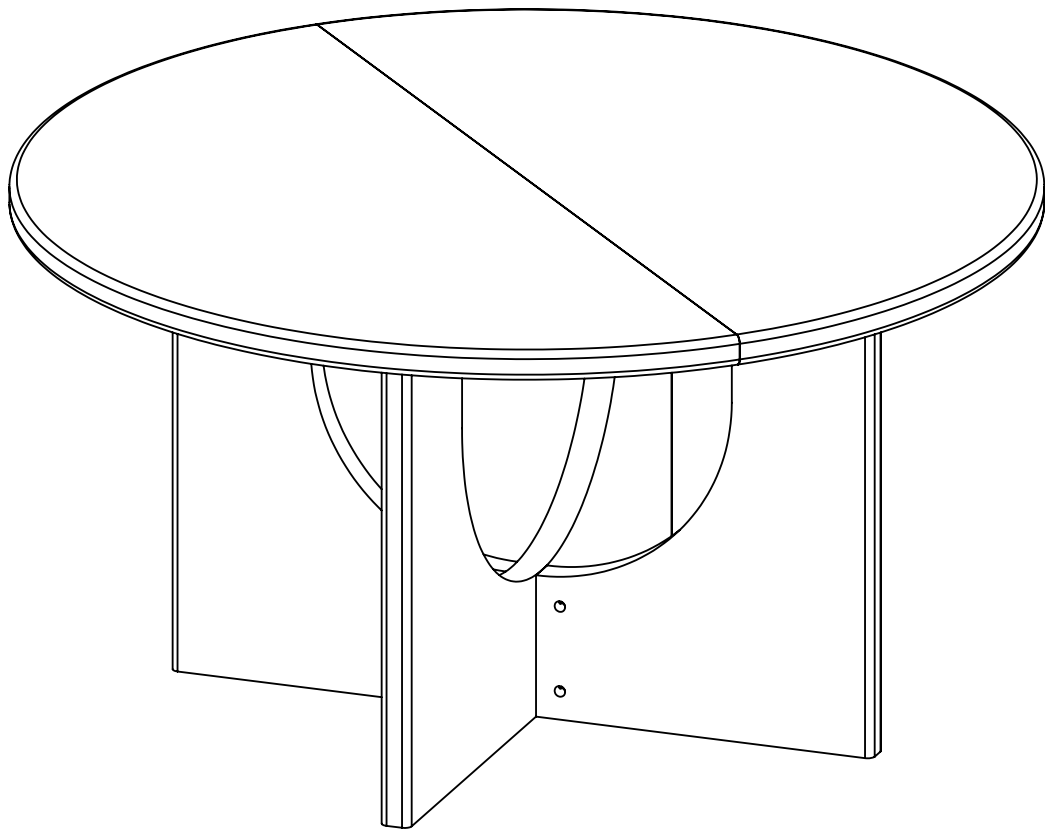


8



9





DECOWOOD®

**The change
starts here.**

