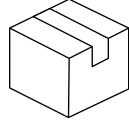
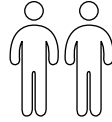


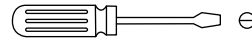
15 min



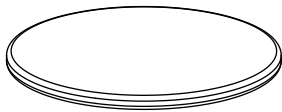
x2



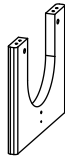
x2



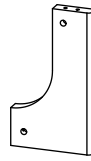
x1



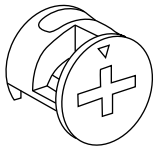
A x1



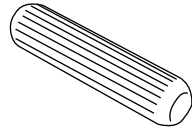
B x1



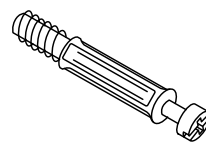
C x2



D x6  
Ø15mm



E x12  
Ø8x30mm

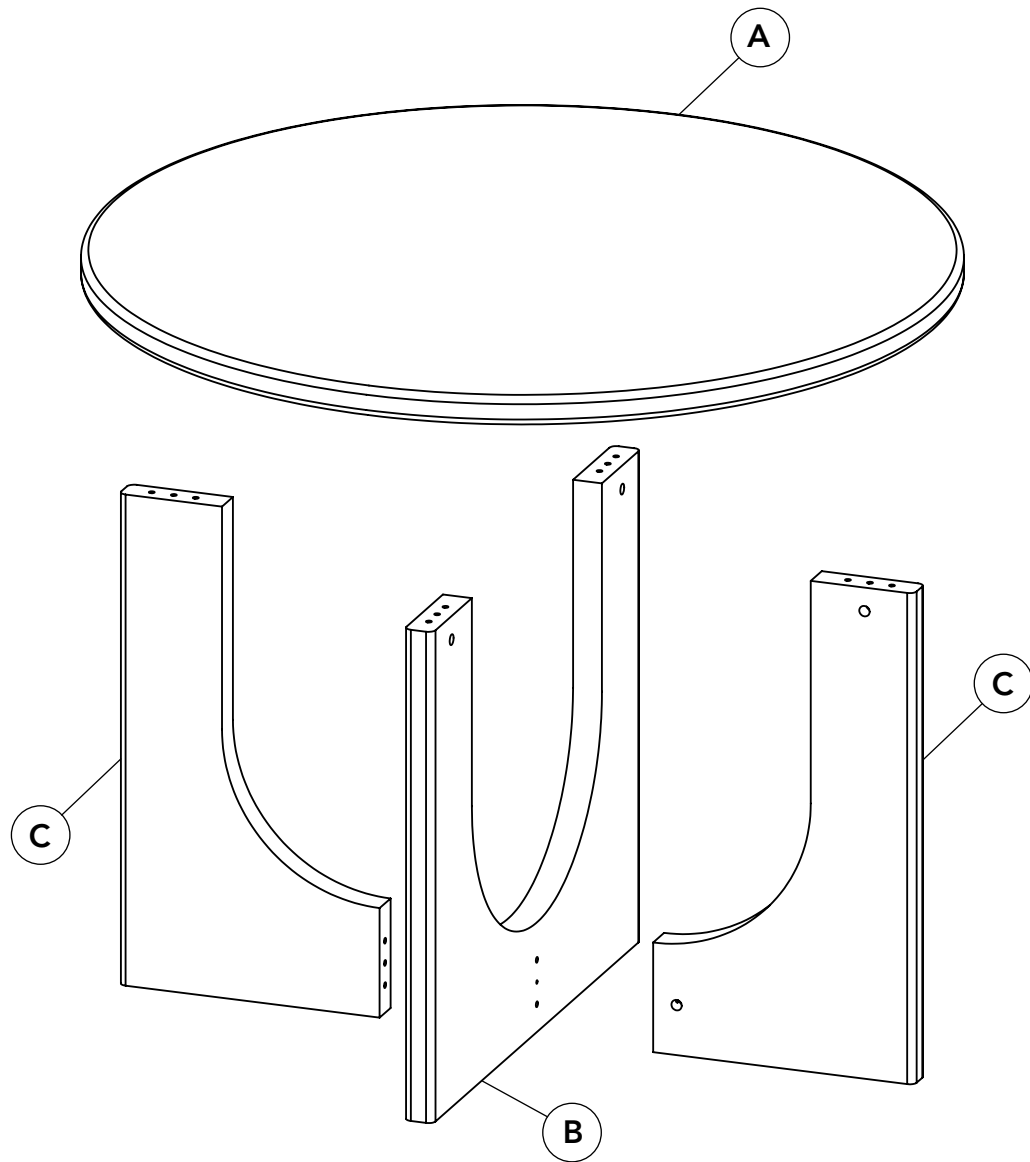


F x6  
M6x40mm

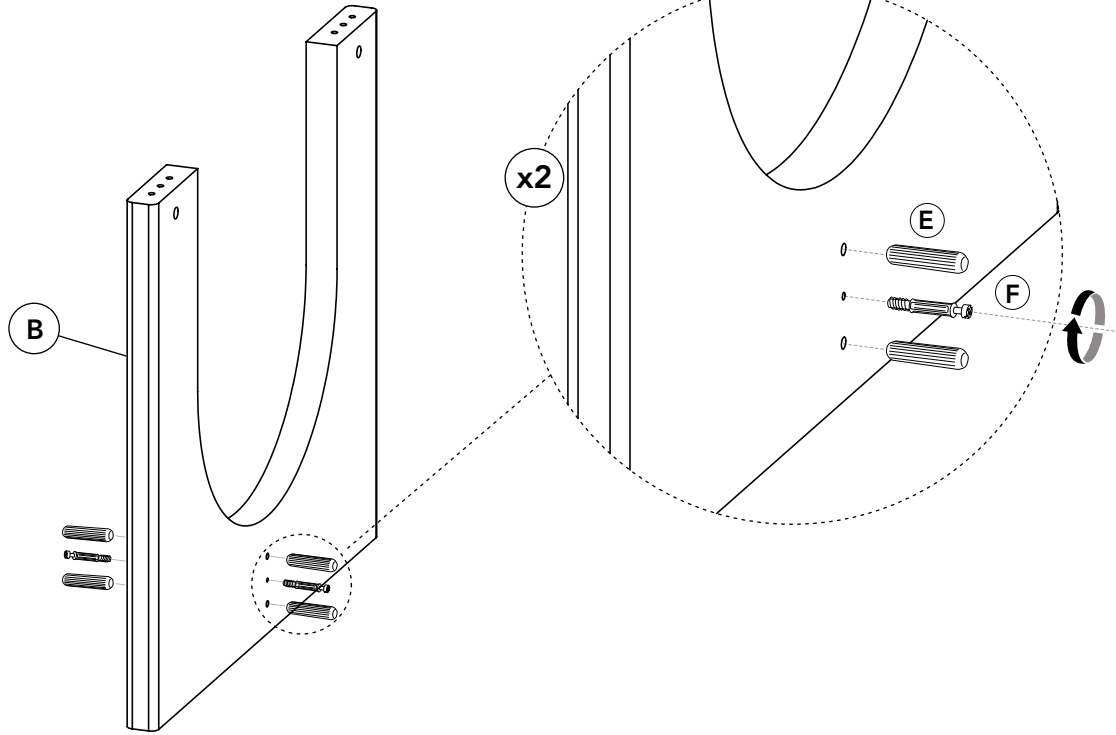


**G x6**

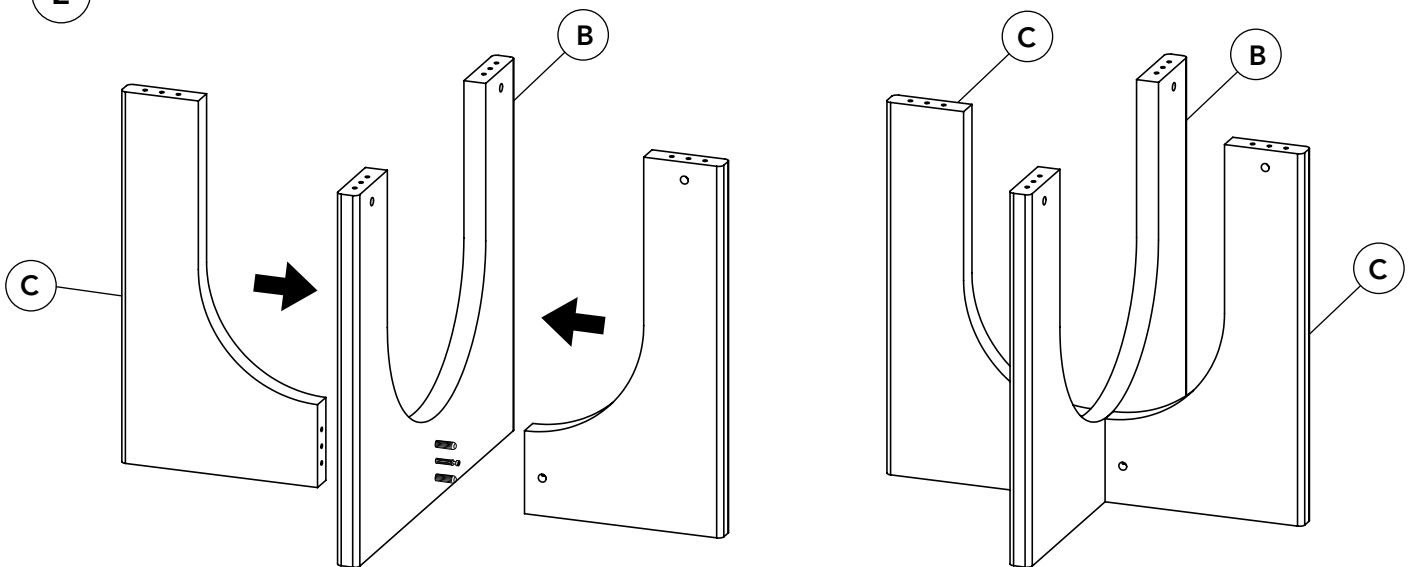
ESP: Solo para patas de microcemento.  
EN: Only for microcement legs.

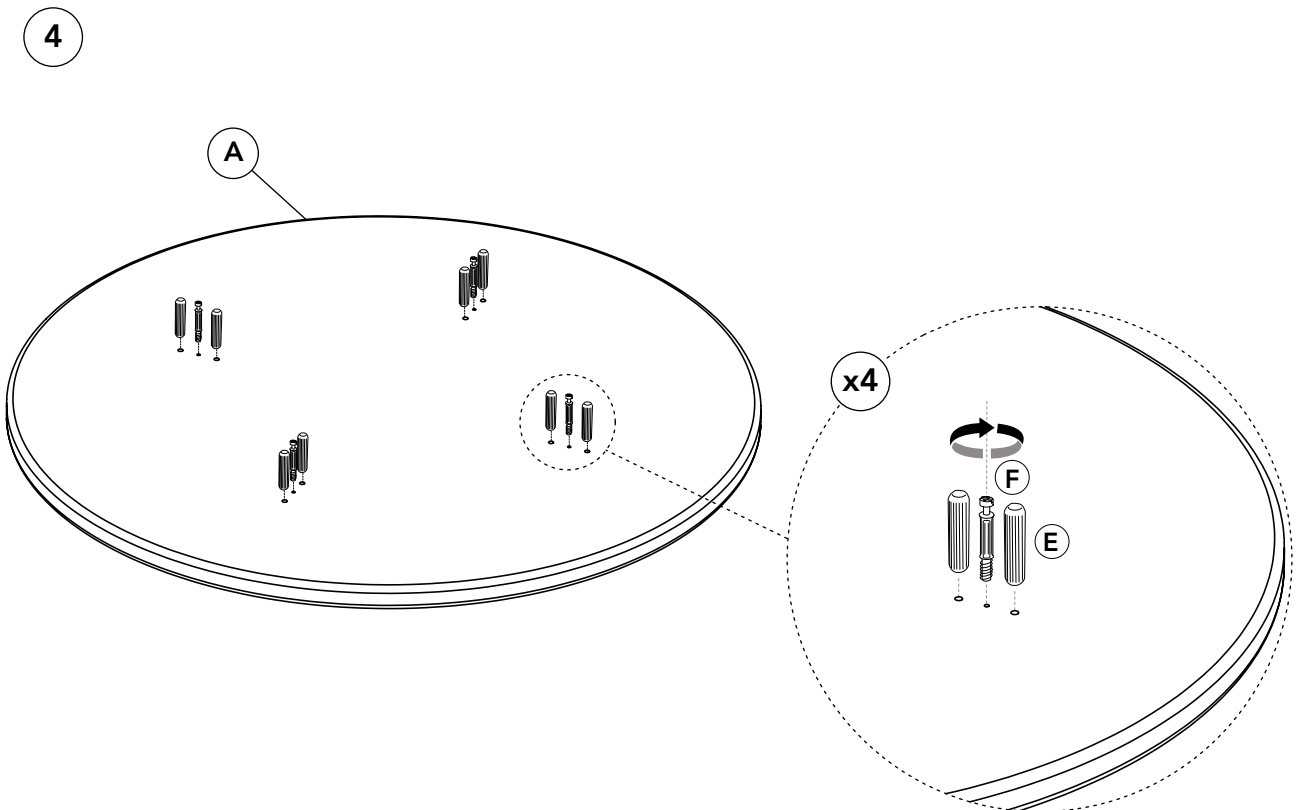
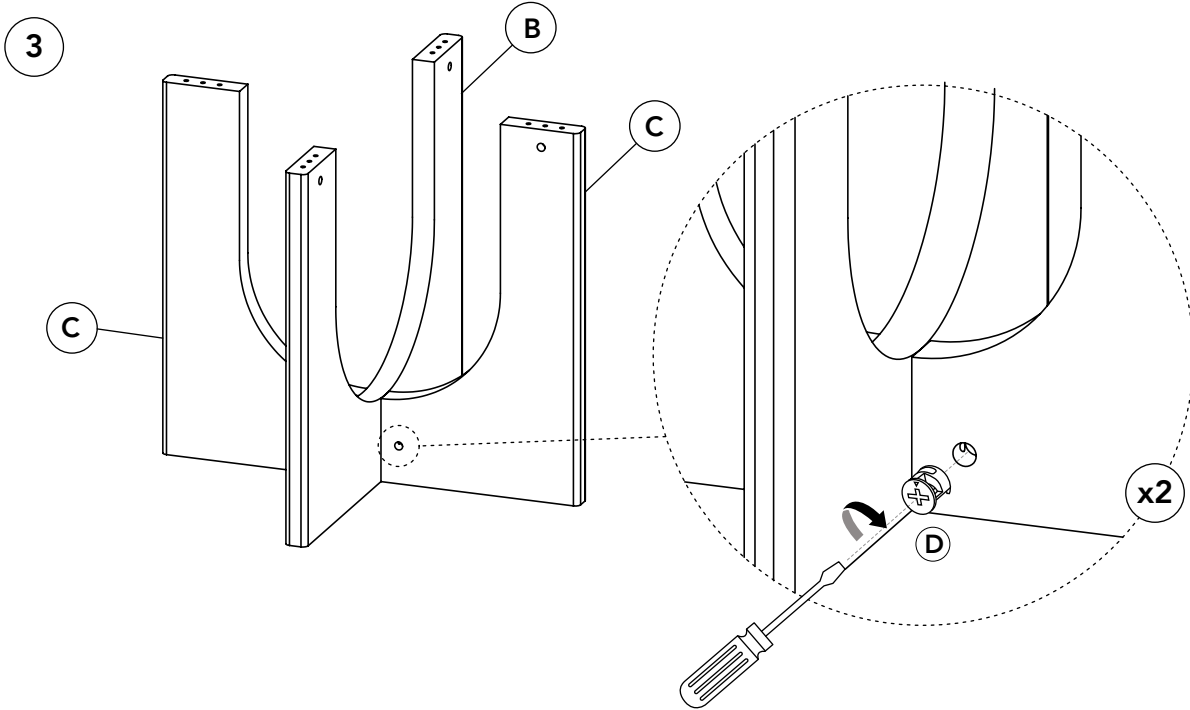


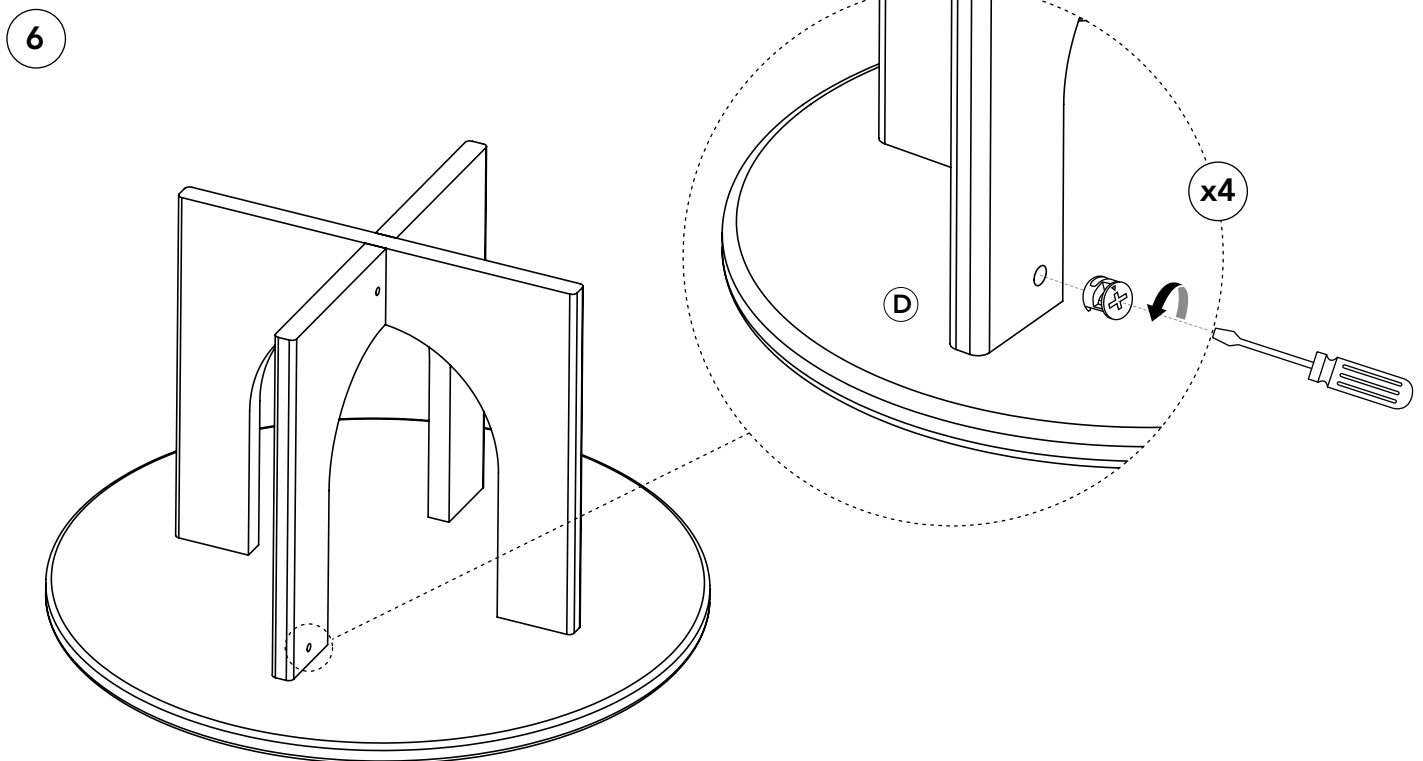
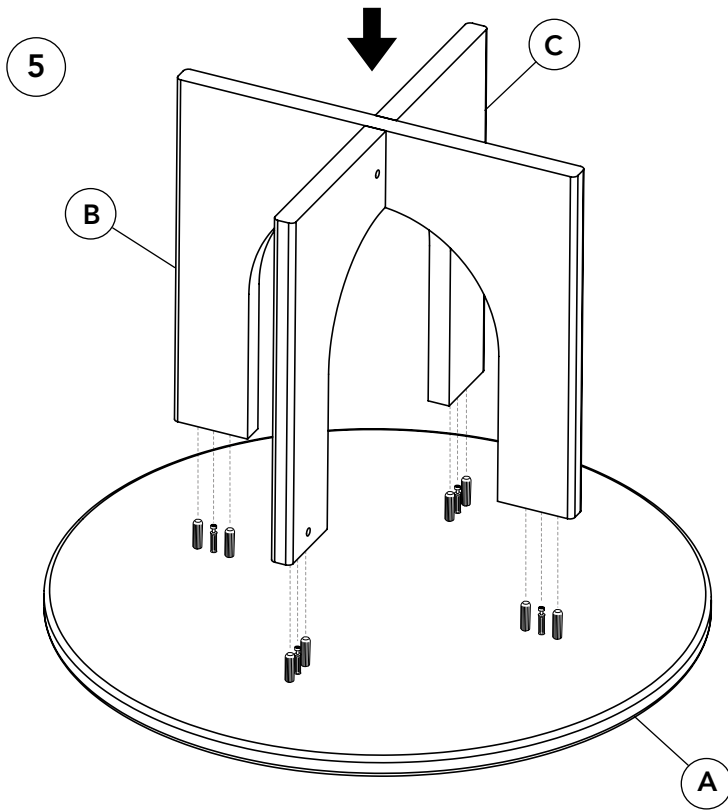
1



2



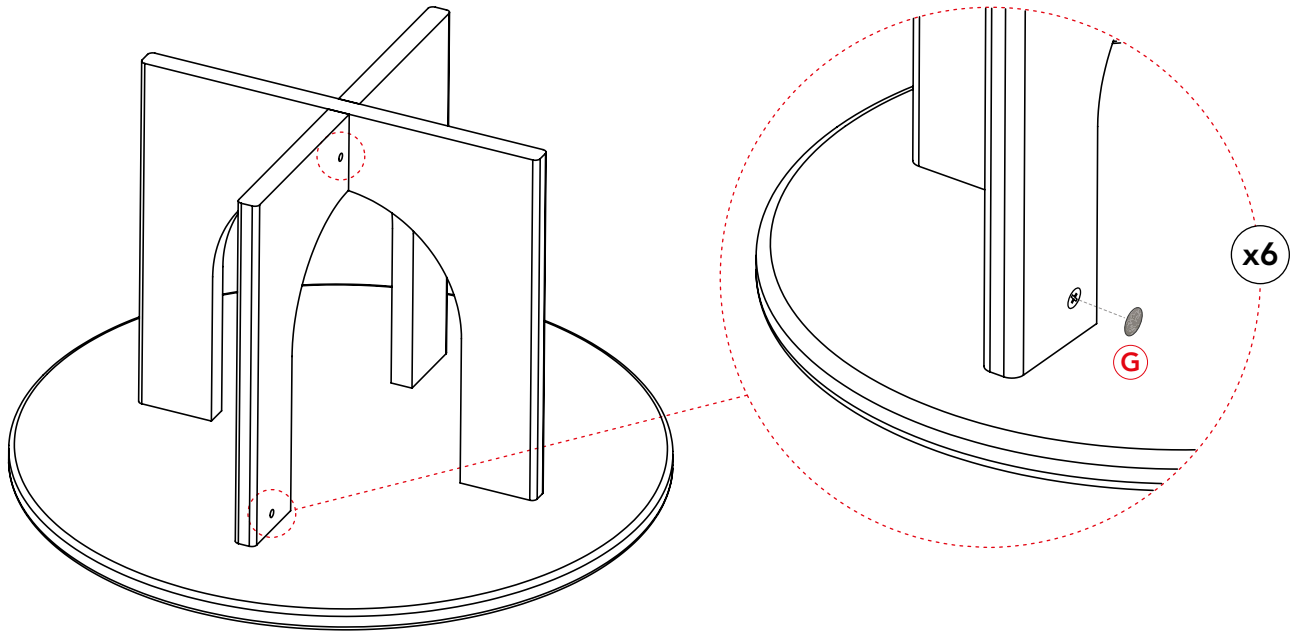




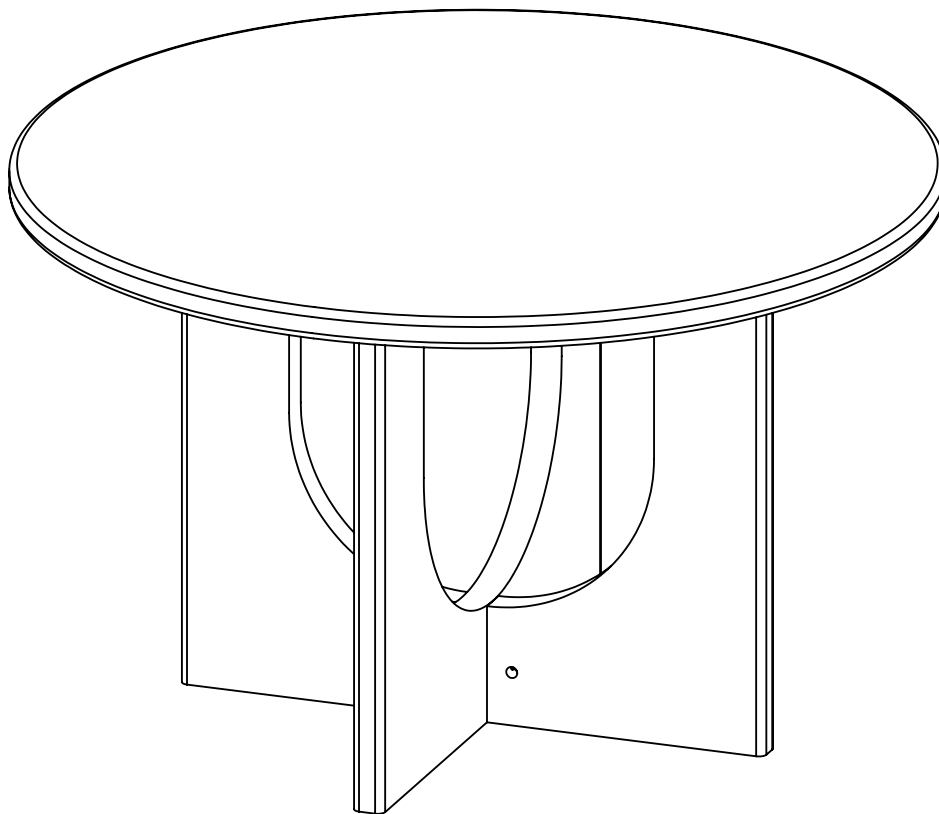
7



ESP: Solo para patas de microcemento.  
EN: Only for microcement legs.



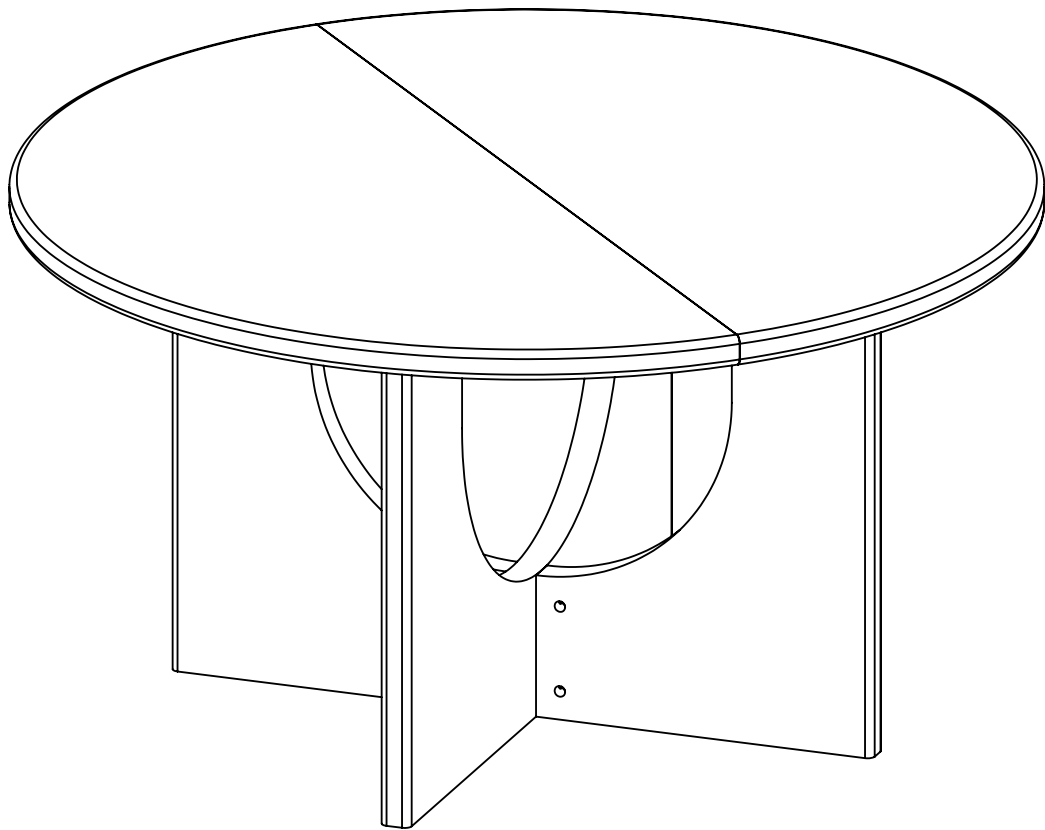


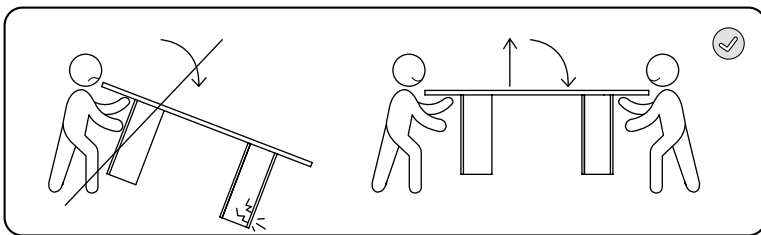
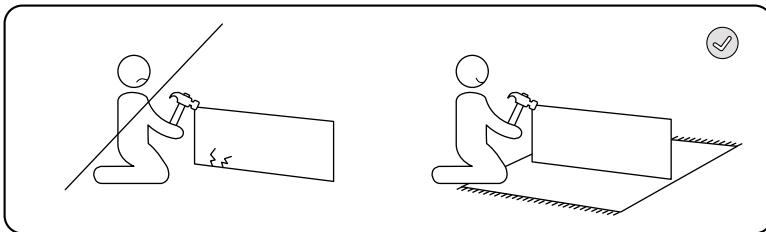
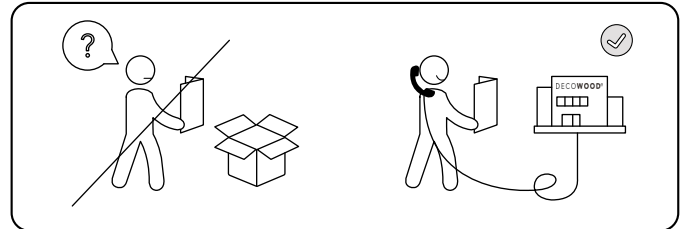
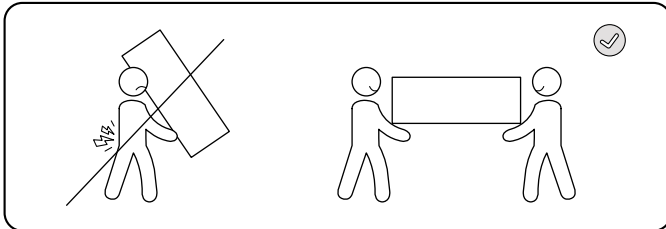


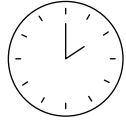
DECOWOOD®

**The change  
starts here.**

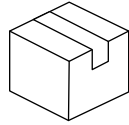








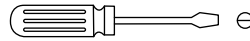
15 min



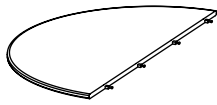
x2



x2



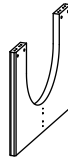
x1



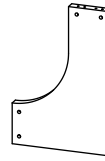
A1 x1



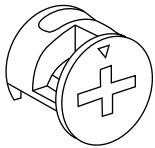
A2 x1



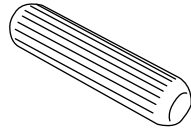
B x1



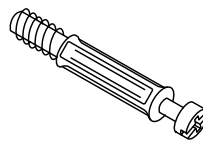
C x2



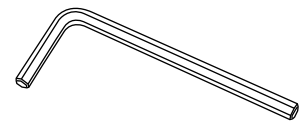
D x12  
Ø15mm



E x12  
Ø8x30mm



F x12  
M6x40mm

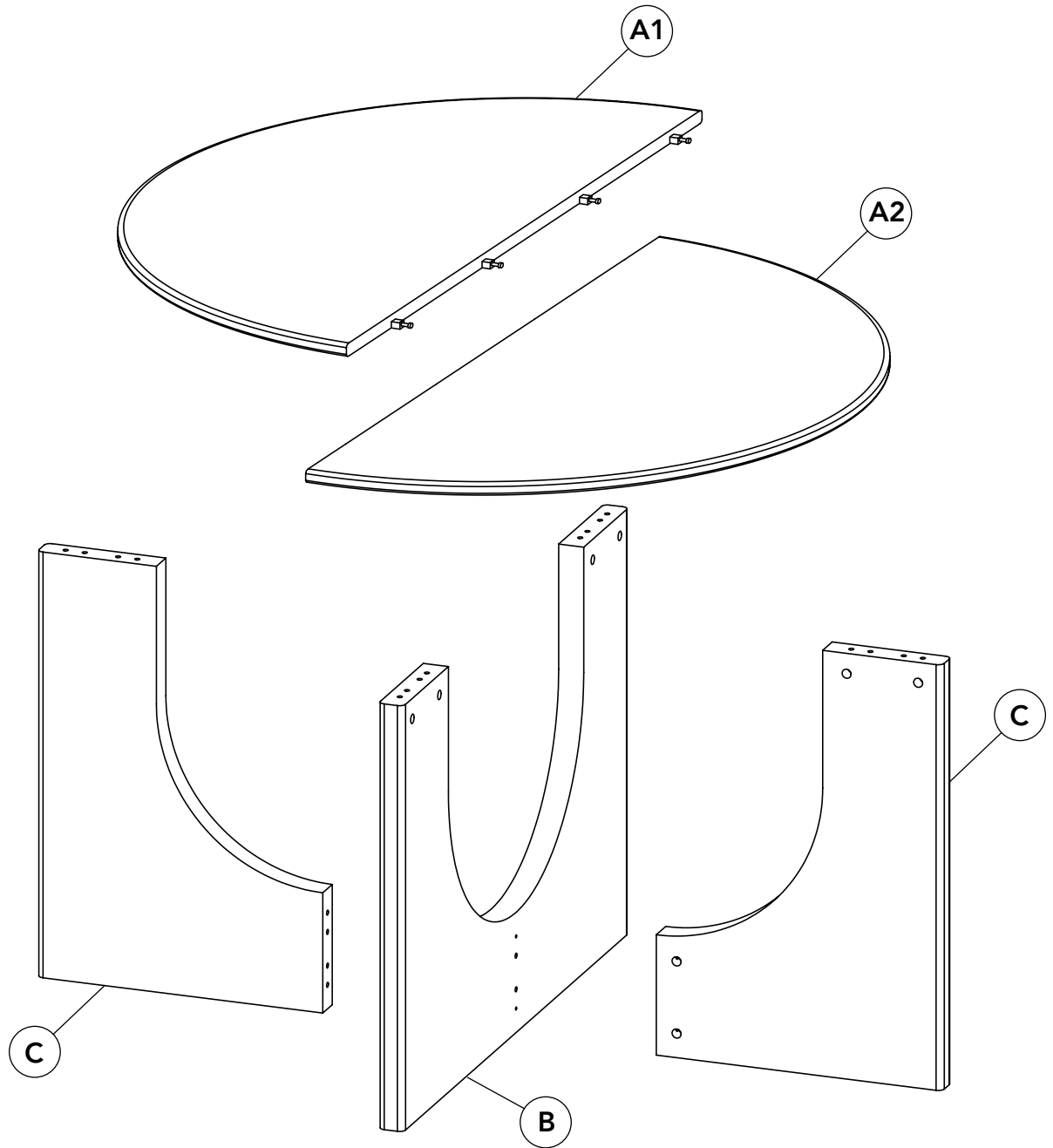


G x1  
Allen SW6

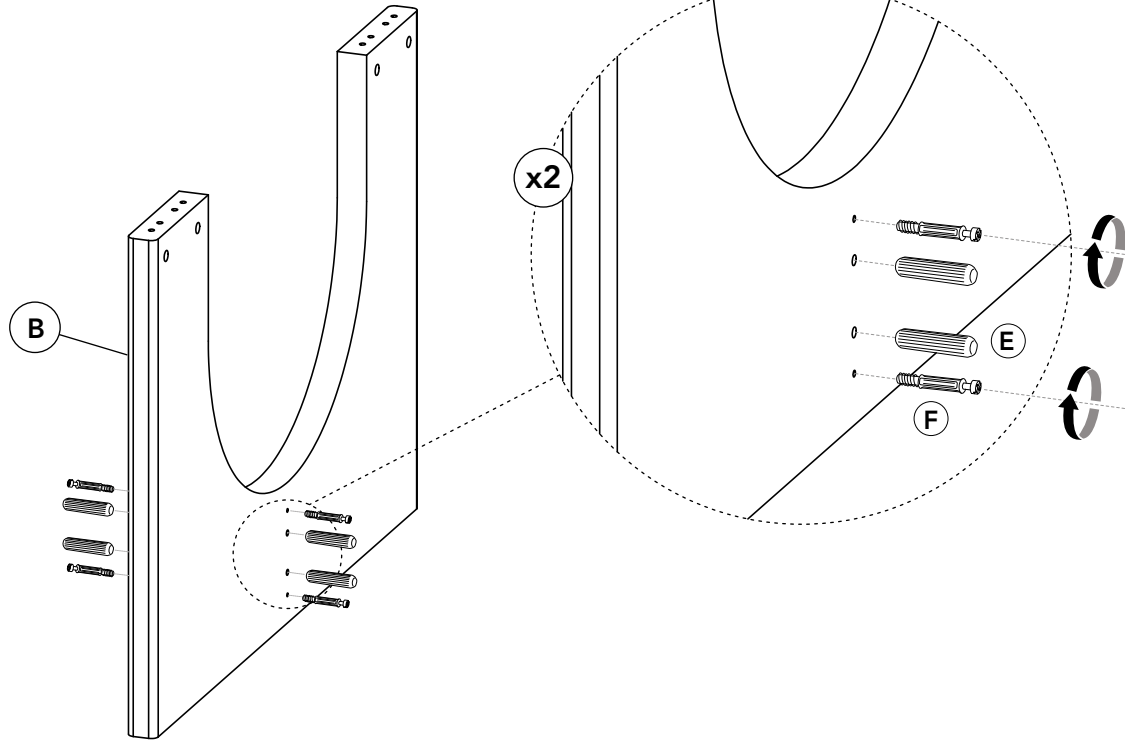


**H x12**

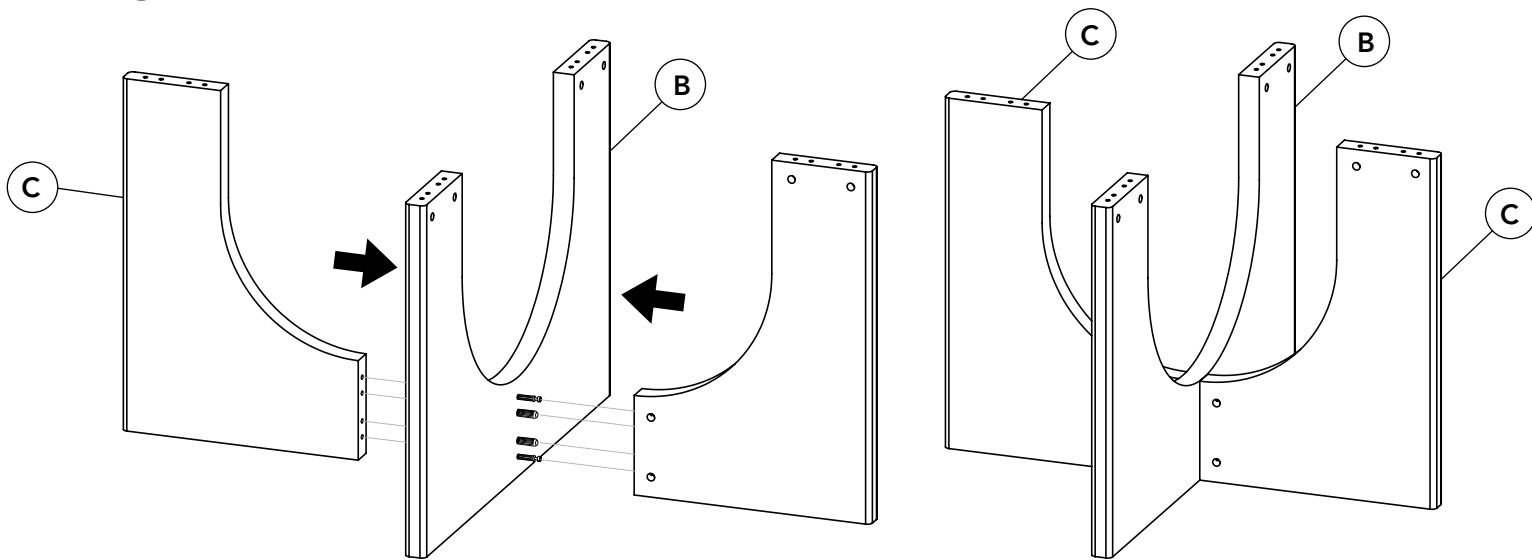
ESP: Solo para patas de microcemento.  
EN: Only for microcement legs.

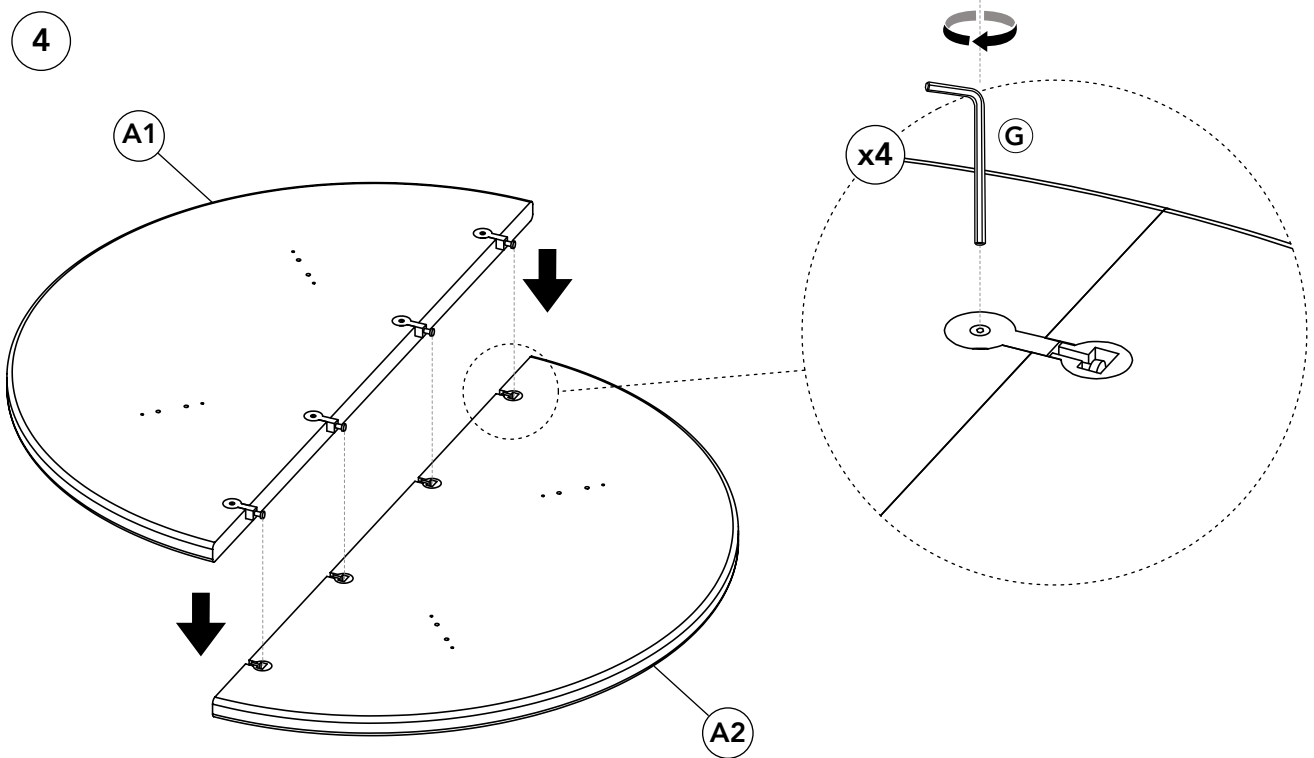
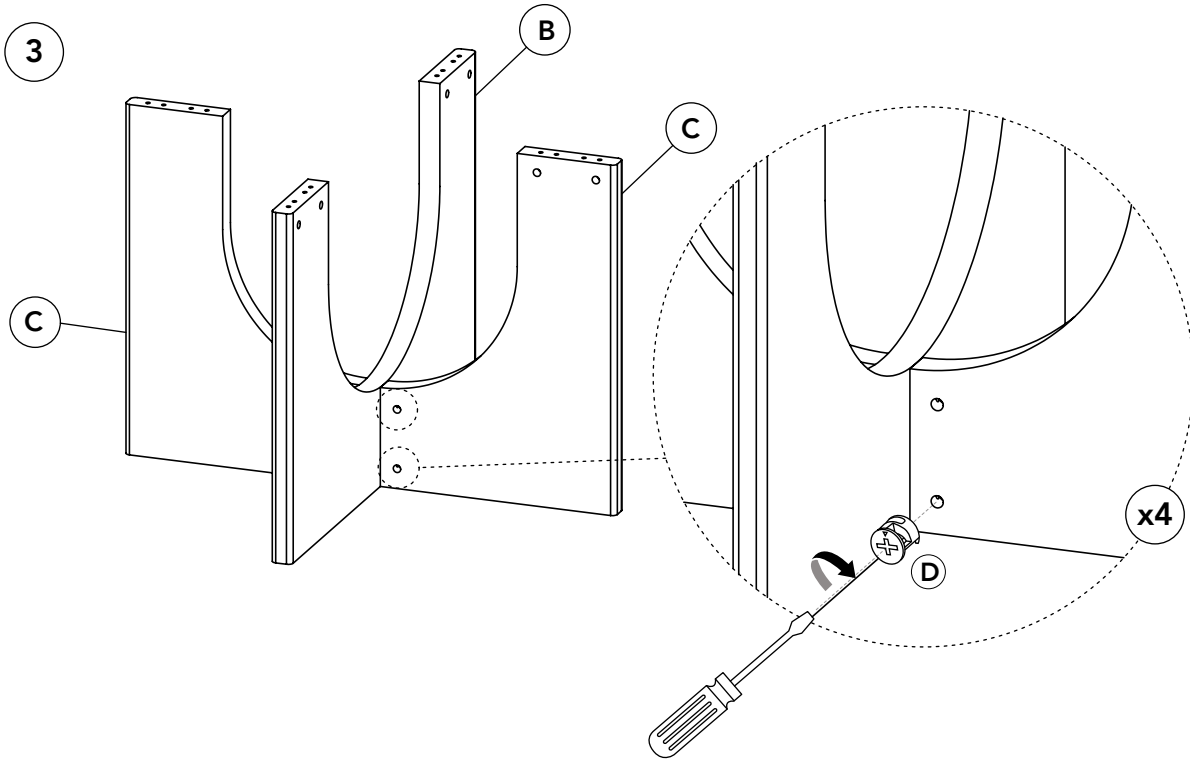


1



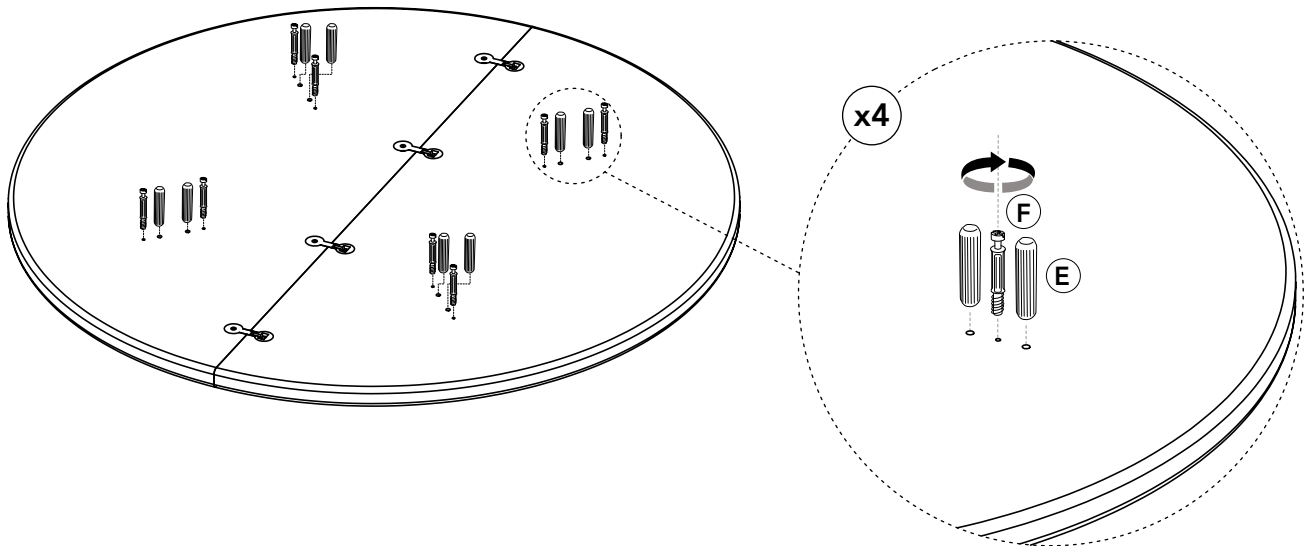
2



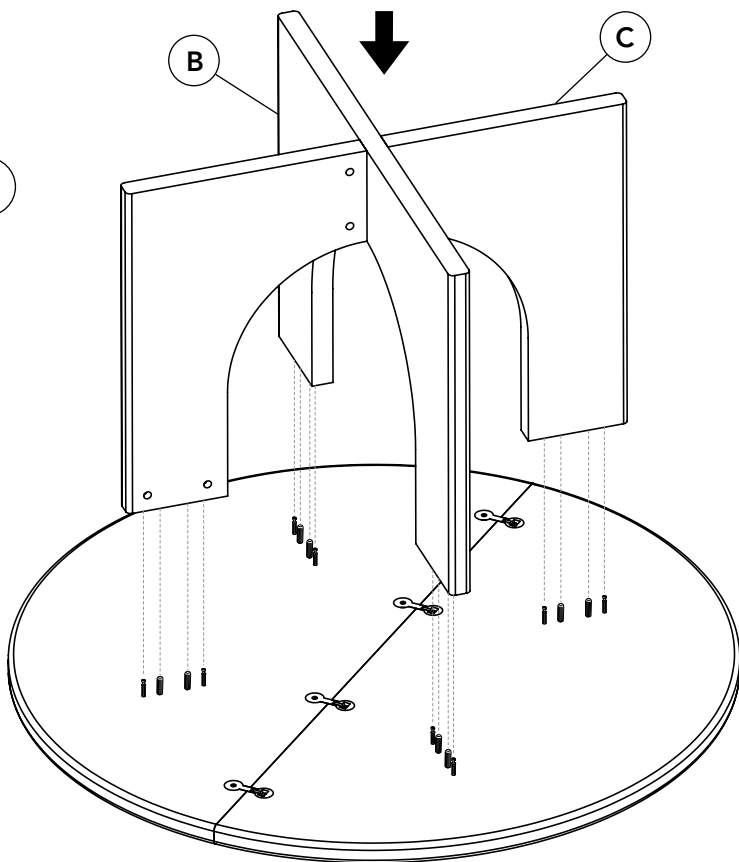




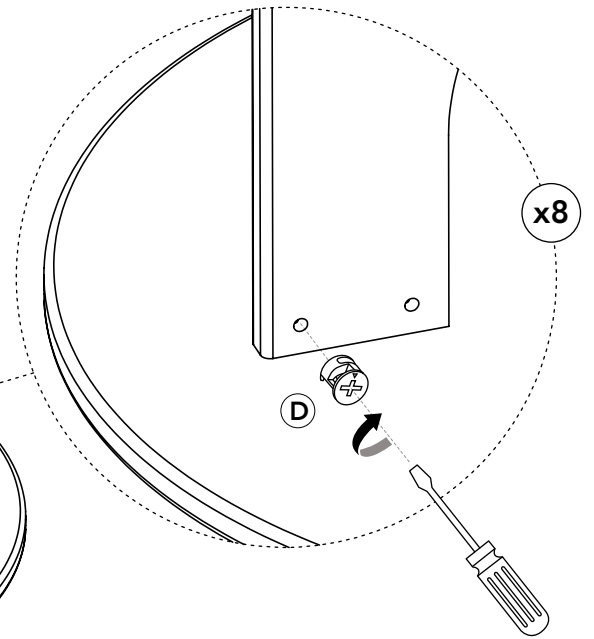
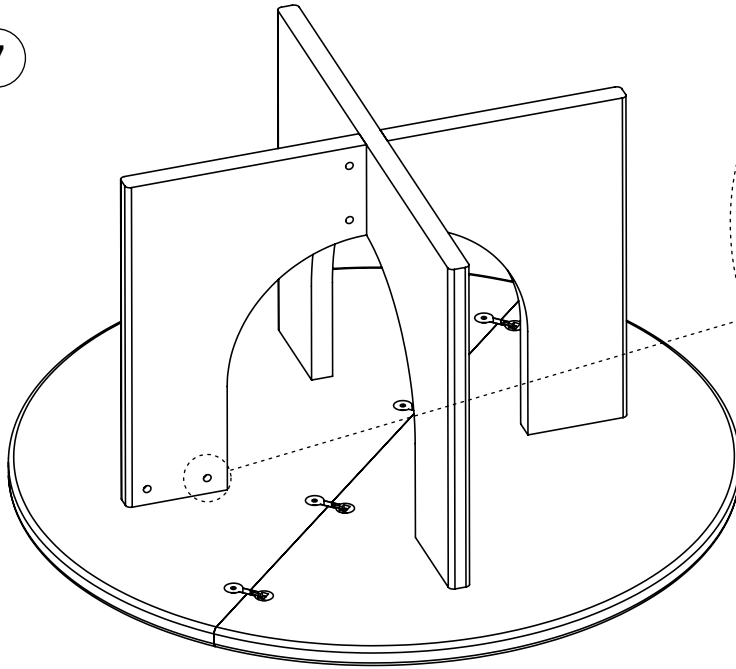
5



6

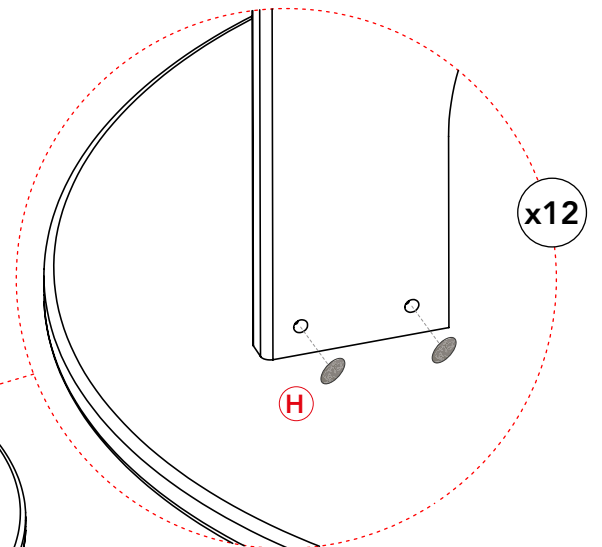
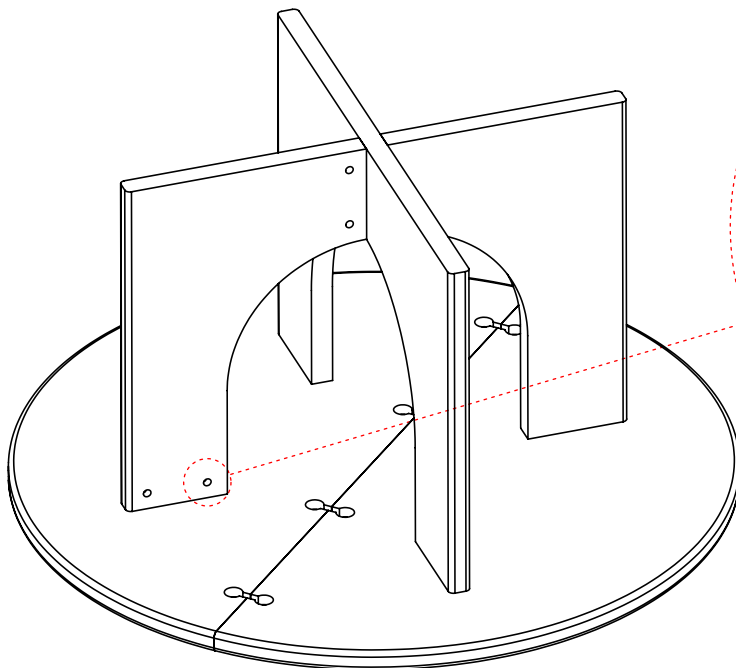


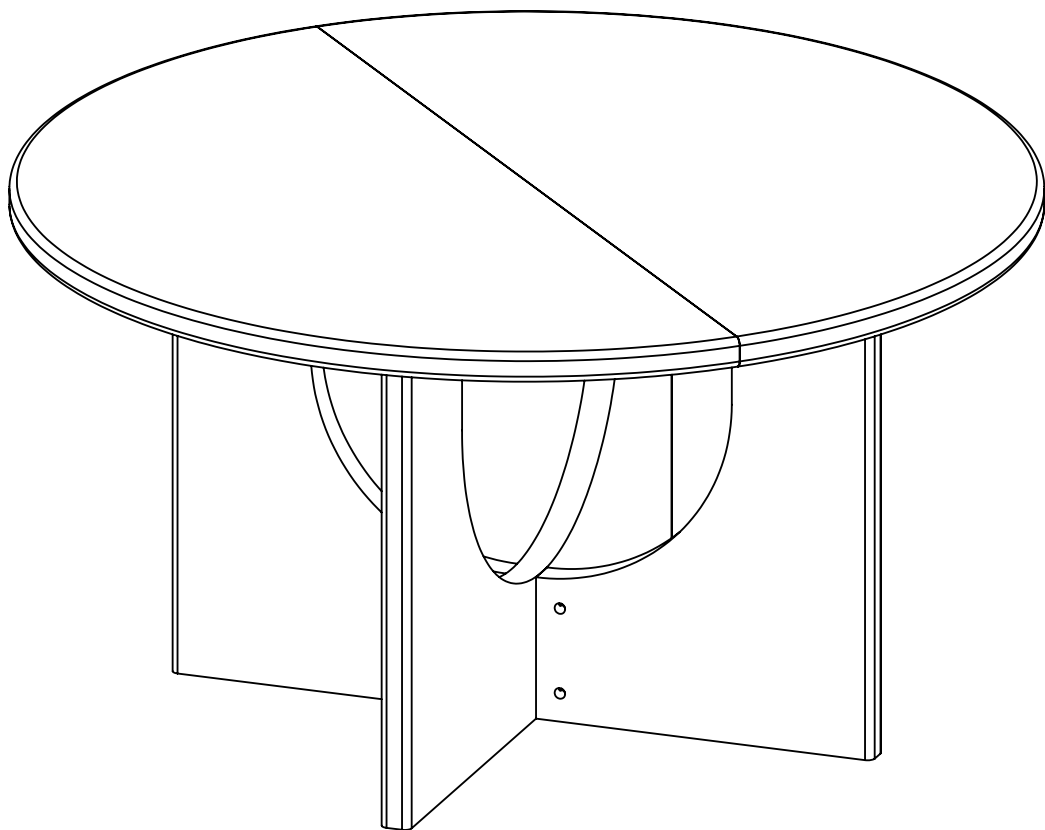
7



8

ESP: Solo para patas de microcemento.  
EN: Only for microcement legs.





DECOWOOD®

**The change  
starts here.**

